

Axis^{AX}

Remote Annunciator Enclosures

Advanced offers two optional surface mount Remote Annunciator Enclosures, AX-ANN-WP and AX-ANN-TP. Each enclosure accommodates one AX-ANN-C or AX-ANN-D remote annunciator.

The AX-ANN-WP is a weatherproof remote annunciator enclosure incorporating a heater and thermostat protecting the AX-ANN-C and AX-ANN-D remote annunciator from weather and outdoor elements, while the AX-ANN-TP is a tamperproof remote annunciator enclosure protecting the AX-ANN-C and AX-ANN-D remote annunciator from vandalism and malicious damage.

In addition the AX-ANN-WP incorporates a gasket, clear Lexan window and a corrosive resistant piano hinged drop-down door to prevent dust and moisture buildup on the remote annunciator.



Features

- 16 Gauge Cold Rolled Steel Construction
- Houses one AX-ANN-C or AX-ANN-D Annunciator
- Full Length Piano Hinged Drop-Down Door
- Clear Lexan Window
- Tamperproof Version for Vandalism Protection
- Weatherproof Version Includes Built-In Heater
- CAT-30 Keyed to Match Fire Alarm Control Panel
- Powder Coated Red
- Dimensions 15"W x 12.75"H x 2.361"D
- Surface Mount

Specification

Electrical Characteristics

AX-ANN-WP Heater/Thermostat 24V DC/AC @ 800 mA (Active at 40 °F, inactive at 60 °F)

Keylock CAT-30

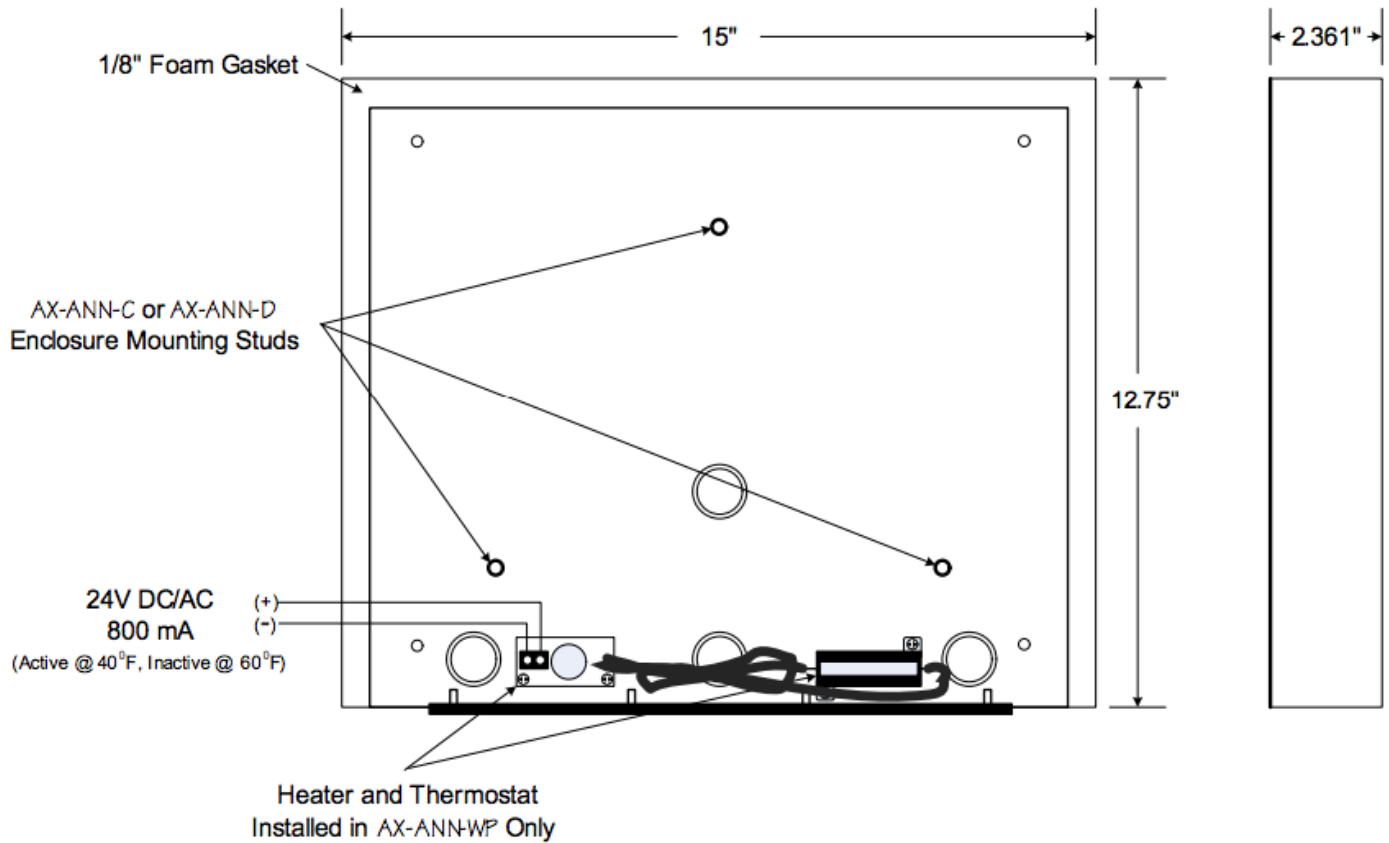
Knockouts Four ½"

Color Red

Dimensions 15"W x 12.75"H x 2.361"D

Weight 9.0 lbs

Wiring Diagram



Order Codes and Options

AX-ANN-TP	Tamperproof Enclosure (Less AX-ANN-C or AX-ANN-D annunciator)
AX-ANN-WP	Weatherproof Enclosure with 24V heater/thermostat (Less AX-ANN-C or AX-ANN-D annunciator)

Check if this document is up to date | Give us feedback

9564 Yellowhead Trail NW, Edmonton AB, T5G 0W4, Canada T: 1 (866) 462-7100 E: info@harding-tech.com W: www.harding-tech.com

As our policy is one of constant product improvement the right is therefore reserved to modify product specifications without prior notice.