

Intelligent Dual Switch Monitor

The Advanced Intelligent Dual Switch Monitor is an addressable module for use with the Axis AX Series Intelligent Fire Alarm Control Panel SLC Loops. Each module incorporates two (2) independent, individually programmable, initiating device circuits (IDC), providing cost-effective solutions in areas requiring multiple addresses.

The IDC circuits are each capable of monitoring a single contact device or a group of devices. Contacts can be normally open (N.O.) or normally closed (N.C.) ranging from heat detectors, linear heat detectors, 4-wire conventional smoke detectors, waterflow switches, tamper switches, manual pull stations, switch input points for control, or any other supervised input requirement. Though each IDC circuit can monitor any number of contact devices, it is not recommended to mix alarm, supervisory, or security contacts on the same IDC circuit. Each initiating device circuit is separately addressed and can be wired Class A or B. A typical application for the Dual Switch Monitor would be the individual monitoring of waterflow and tamper switches located at a sprinkler system riser.



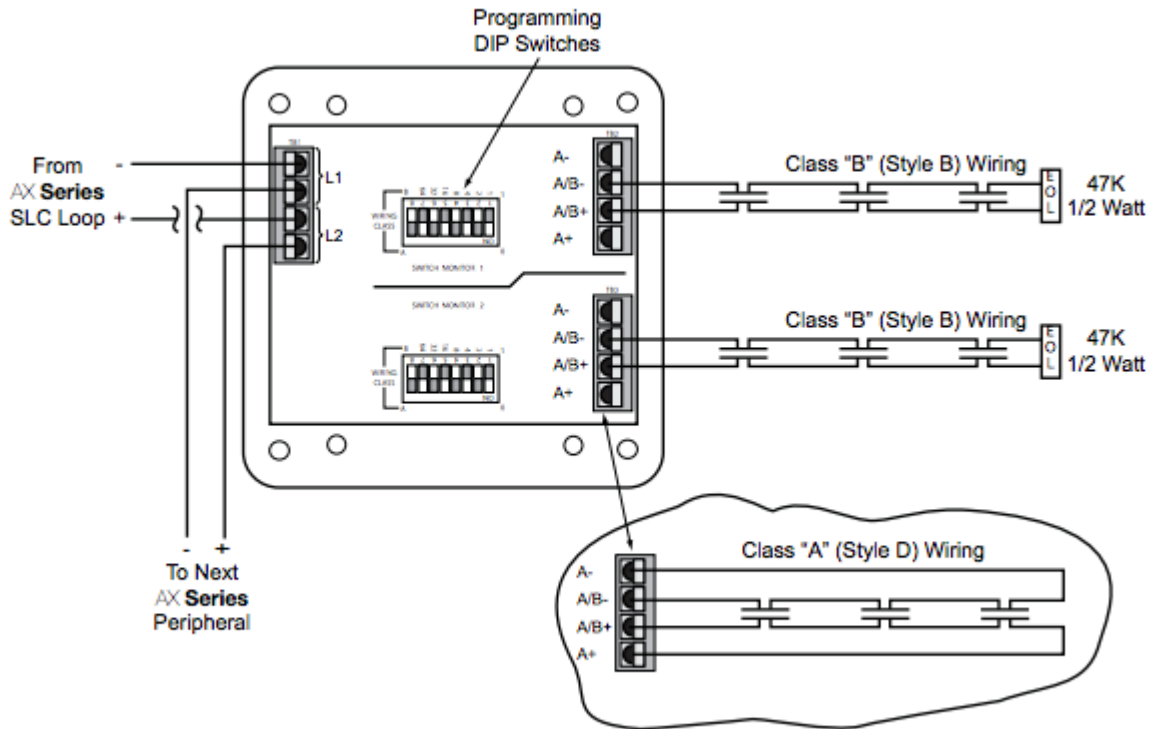
Features

- 4" Square or 2-Gang Electrical Box Mounting
- Flexible Programmability
- Durable Construction
- Cost-Effective & Trouble-Free Installation
- Two Independent Initiating Device Circuits (IDC)
- Class A or B Wiring
- Dedicated IDC Activation Status LEDs
- Integral Priority Interrupt

Listings and Approvals

- ETL ANSI/UL 864 Listed: 101564744NYM-001
- UL file: UOXX.S7003 / ML file: S24460
- CSFM Approved: 7300-1713:112

Wiring Diagram



Specification

Voltage	17-28 VDC, with Communication Pulses 5-9 VDC
Operating Current	0.85 mA (Quiescent) 0.85 mA (Alarm) 5.85 mA (w/LED's)
Line Impedance	100 Ω
Wiring Classification	Class A or Class B
End-of-Line Resistor	47 KΩ, 0.5 Watt (Class "B" Only)
Wiring	Screw In-Out Terminals
Mounting	4" Square or 2-Gang Electrical Outlet Box
Dimensions (Diameter & Height)	4 1/2" W x 4 1/2 "H x 1 "D
Weight	2.8 oz
Operating Temperature	32 °-120 °F (0 °-49 °C)
Humidity	10-93% (Non-Condensing)

Order Codes and Options

55000-790ADV	Dual Switch Monitor
--------------	---------------------

[Check if this document is up to date](#) | [Give us feedback](#)

Advanced, 100 South Street, Hopkinton, MA. 01748 T: +508 435 9995 E: usa@advancedco.com W: us.advancedco.com

As our policy is one of constant product improvement the right is therefore reserved to modify product specifications without prior notice.