

Intelligent Dual Switch Monitor

The Advanced Intelligent Dual Switch Monitor is an addressable module for use with the Axis AX Series Intelligent Fire Alarm Control Panel SLC Loops. Each module incorporates two (2) independent, individually programmable, initiating device circuits (IDC), providing cost-effective solutions in areas requiring multiple addresses.

The IDC circuits are each capable of monitoring a single contact device or a group of devices. Contacts can be normally open (N.O.) or normally closed (N.C.) ranging from heat detectors, linear heat detectors, 4-wire conventional smoke detectors, water flow switches, tamper switches, manual pull stations, switch input points for control or any other supervised input requirement. Though each IDC circuit can monitor any number of contact devices, it is not recommended to mix alarm, supervisory, or security contacts on the same IDC circuit. Each initiating device circuit is separately addressed and can be wired Class A or B. A typical application for the Dual Switch Monitor would be the individual monitoring of water flow and tamper switches located at a sprinkler system riser.

Incorporated with each individual IDC circuit is a built-in priority interrupt feature which allows rapid response capabilities from highly critical contact devices (e.i., manual pull stations, etc.).

Two (2) eight position programming DIP switches are provided on each Dual Switch Monitor for IDC circuit addressing and wiring classification definition. The module mounts to the front of a standard 4" square or 2-gang electrical outlet box. Displayed on the front of each module are two (2) red status LEDs that independently illuminate steady during active condition of the associated IDC circuit.

Compatible with the AxisAX Series Dynamix I/O relationship programming, the Dual Switch Monitor can be individually assigned to any input type and programmed to activate any output relationship, output group, timing function, gated function etc to perform project specific monitoring and control operations.



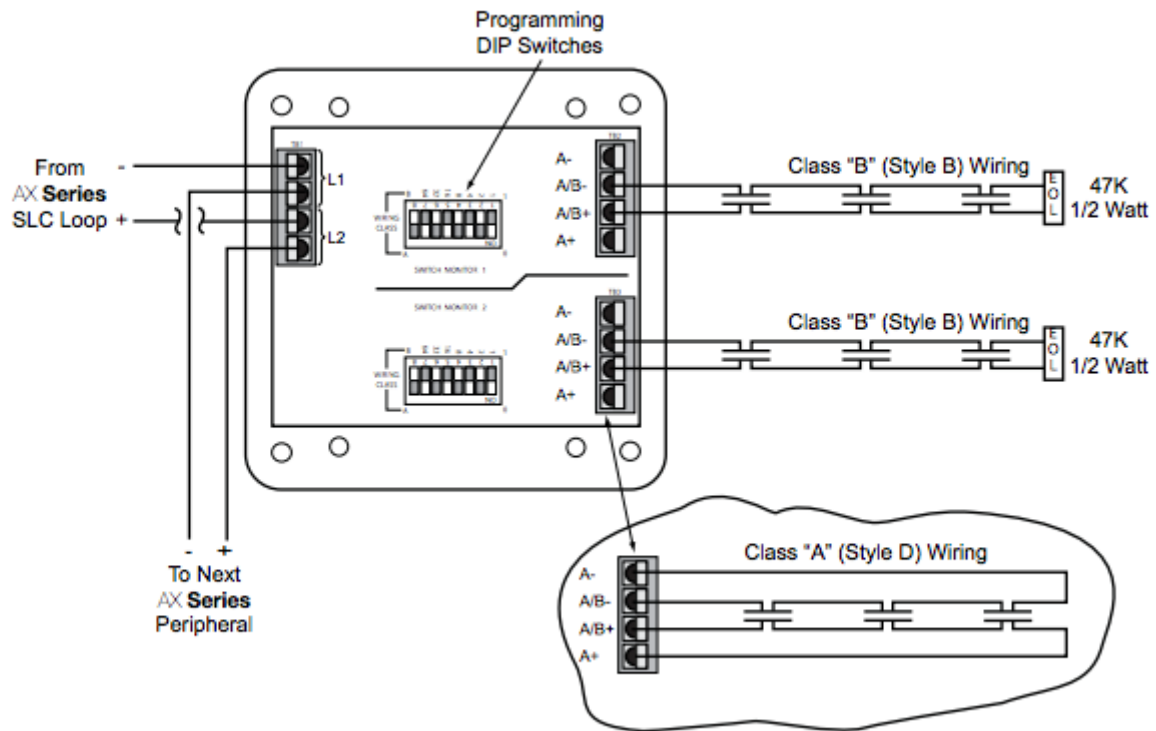
Features

- 4" Square or 2-Gang Electrical Box Mounting
- Flexible Programmability
- Durable Construction
- Cost-Effective & Trouble-Free Installation
- Integral Priority Interrupt
- Two Independent Initiating Device Circuits (IDC)
- Class A or B Wiring
- Dedicated IDC Activation Status LEDs

Listings and Approvals

- ETL ANSI/UL 864 Listed: 101564744NYM-001
- UL file: UOXX.S7003 / ML file: S24460
- CSFM Approved: 7300-1713:112

Wiring Diagram



Specification

Voltage	17-28 VDC, with Communication Pulses 5-9 VDC
Operating Current	0.85 mA (Quiescent) 0.85 mA (Alarm) 5.85 mA (w/LED's)
Line Impedance	100 Ω
Wiring Classification	Class A or Class B
End-of-Line Resistor	47 K Ω , 0.5 Watt (Class "B" Only)
Wiring	Screw In-Out Terminals
Mounting	4" Square or 2-Gang Electrical Outlet Box
Dimensions (Diameter & Height)	4 1/2" W x 4 1/2" H x 1" D
Weight	2.8 oz
Operating Temperature	32 ° -120 ° F (0 ° -49 ° C)
Humidity	10-93% (Non-Condensing)

Order Codes and Options

55000-790ADV	Dual Switch Monitor
--------------	---------------------

[Check if this document is up to date](#) | [Give us feedback](#)

Advanced, The Bridges, Balliol Business Park, Newcastle, NE12 8EW, UK T: +44 (0)845 894 7000, E: enquiries@advancedco.com, W: www.advancedco.com

As our policy is one of constant product improvement the right is therefore reserved to modify product specifications without prior notice.