

The AV-TEL-SUP is compatible with the AV-TEL and AV-TEL-RISER6 telephone riser circuitry. The AV-TEL and AV-TEL-RISER6 circuitry create fully supervised telephone “party lines” that allows the Axis AX Series Command Center to communicate with any combination of 5 (five) riser remote firefighter emergency station phone handsets, addressable firefighter warden station phone handsets or AV-JACKs as well as the command center telephone simultaneously. The “party line” can be configured as a Class A or B circuit.

The AV-TEL-SUP firefighter telephone supervision module is pre-mounted to an Advanced firefighter emergency or warden station phone handset assembly (AV-TEL-CCS, AV-TEL-CCP, AV-TEL-ACS or AV-TELACP).

When a firefighter emergency or warden station phone handset is removed from its cradle or the push to talk button is pressed the AV-TEL-SUP will send a signal to the 55000-820ADV input/output module. The signal from the 55000-820ADV input/output module will cause the buzzer to sound at the command center indicating a telephone call-in. In addition, an associated LED flashes at the command center to indicate the location and identity of the incoming call. Once the command center operator presses the telephone connect button, the LED at the command center turns on steady and the LED located on the firefighter emergency or warden station phone handset assembly will turn on to indicate to the firefighter that the connection from the firefighter phone handset to the command center has been made.

Advanced has a variety of addressable field mounted firefighter emergency or warden station phone handset assemblies. Customers may choose from assemblies with coiled or armored cord and with or without a push to talk button. Any combination of up to 40 (AV-TEL with riser module) or 35 (per AV-TEL-RISER6 riser, six risers per AV-TEL-RISER6 [210 AV-TEL-SUPs max]) firefighter emergency or warden station phone handset assemblies and/or AV-JACKs are supported by the telephone riser.

All wiring from the AV-TEL or AV-TEL-RISER6 to the addressable field mounted firefighter emergency or warden station phone handset assemblies and AV-JACKs are fully supervised for opens, shorts and ground faults.

The EOL Resistor supplied with the Addressable I/O Module P/N 55000-820ADV is not required – an EOL Resistor is incorporated on the AV-TEL-SUP PCB.

A 6 conductor cable is supplied with the pre-mounted AVTEL-SUP module in the firefighter phone handset assembly and is required to be wired to the I/O Module as shown below. Red and White wires are not polarity sensitive. Yellow and Black wires are not polarity sensitive but it is recommended to wire to the terminal positions as shown.



AV-TEL-SUP Module



AV-TEL-CCS Phone Handset Assembly

AV-TEL-SUP Module

## Features

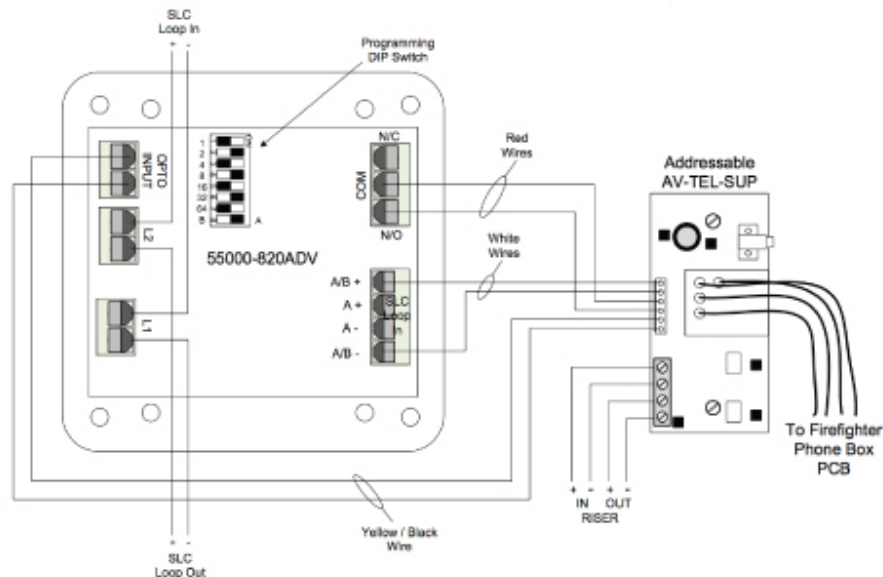
- Firefighter Emergency & Warden Station Interface
- Individual Address per Station
- Supervised against Opens, Shorts and Grounds
- Class A or B Configuration
- Five (5) Phone “Party Line” Communications per Telephone Riser
- Up to 40 AV-TEL-SUP’s per AV-TEL Riser or 35 (max 210 / six risers) per AV-TEL-RISER6 Riser

## Listings and Approvals

- ETL ANSI/UL 864 Listed: 101564744NYM-001
- CSFM Approved: 7165-1713:0101
- NYCFD COA #6105A2

The 6 conductor cable supplied is 12" long with 24 AWG wires. If the wires need to be extended, use cable suitable for the purpose and connect using a suitable terminal block or wire nuts (maximum recommended distance is 30').

## Wiring Diagram



## Specification

Voltage	9 - 24 VDC
Current Draw	10 mA Quiescent / 30 mA Active
Wire Gauge	12 - 22 AWG, All Circuits Power Limited
Environment	Indoor Use Only
Mounting	AV-TEL-SUP is pre-mounted to Advanced Firefighter Phone Handset Assembly

## Order Codes and Options

AV-TEL-CCS	Coil Cord Standard Firefighter Phone Handset, Includes Addressable AV-TEL-SUP Module
AV-TEL-CCP	Coil Cord Standard Firefighter Phone Handset w/Push to Talk Button , Includes Addressable AV-TEL-SUP Module
AV-TEL-ACS	Armored Cord Standard Firefighter Phone Handset , Includes Addressable AV-TEL-SUP Module
AV-TEL-ACP	Armored Cord Standard Firefighter Phone Handset w/Push to Talk Button , Includes Addressable AV-TEL-SUP Module
AV-TEL-SUP	Addressable Interface for Firefighter Phone Handset Assembly

[Check if this document is up to date](#) | [Give us feedback](#)

Advanced, 100 South Street, Hopkinton, MA. 01748 T: +508 435 9995 E: [usa@advancedco.com](mailto:usa@advancedco.com) W: [us.advancedco.com](http://us.advancedco.com)

As our policy is one of constant product improvement the right is therefore reserved to modify product specifications without prior notice.