

The GX93 Series mini-horn is a high quality remote audible signaling appliance that offers dependable remote annunciation. The GX93 is ideal for applications where a dependable audible alarm signal is required in applications such as hotels, dormitories and apartments. The GX93 is listed for use with both filtered and unfiltered power and a jumper is provided to select either temporal 3 or continuous tone.

The GX93 can be used on the same sync circuit (AVSM Series Control Module) as other Gentex signals. The GX93 Series is ANSI/UL 464 listed for use with fire protective systems and are warranted for three years from the date of purchase.

Note: The sound output for the temporal 3 tone is rated lower since the time the horn is off is averaged into the sound output rating. While the horn is producing a tone in the temporal 3 mode its sound pressure is the same as the continuous mode.



Features

- 12 or 24 VDC Operation
- Jumper Selectable Temporal 3 or Continuous Tone
- Horn Frequency 3100Hz
- ANSI/UL 464 Listed for Fire Protective Service
- Low Current Consumption
- Unit Dimensions: 4.48" high x 2.84" wide x 0.5" deep
- Input Terminals 12 to 18 AWG
- Variety of Mounting Options
- Textured High Impact Plastic Faceplate (red or off-white)

Listings and Approvals

- ANSI/UL 464 Listed
- CSFM: 7135-0569:126
- MEA: 285-91-E-XVI

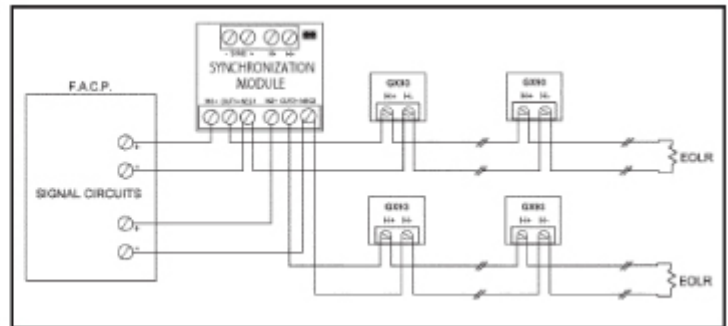
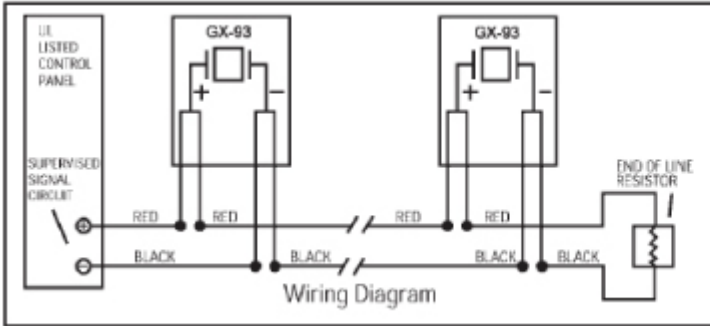
GX93 Current Ratings

24 VDC	22mA
24 VDC UL Max ¹	18mA
12 VDC UL Max ¹	13mA

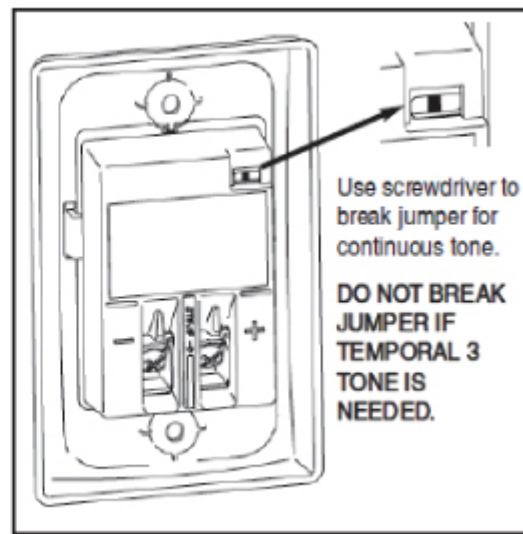
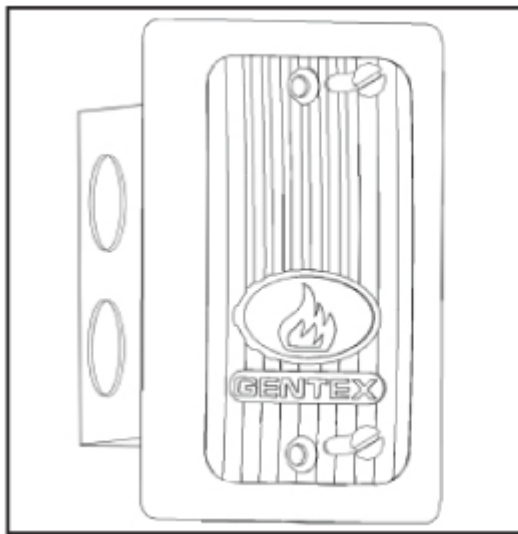
Horn Mode	Minimum SPL at 10 Feet Per ANSI/UL 464 at 12 VDC	Minimum SPL at 10 Feet Per ANSI/UL 464 at 12 VDC	Reverberant dBA at 10 Feet Per ANSI/UL 464	In Anechoic Room dBA @ 10ft.
Temporal 3	81 dBA	78 dBA	78-86	90
Continuous	86 dBA	83 dBA	78-86	90

¹ RMS current ratings are per ANSI/UL average RMS method. ANSI/UL max current rating is the maximum RMS current within the listed voltage range (16-33VDC for 24VDC units) (8-17VDC for 12VDC units). For strobes the ANSI/UL max current is usually at the minimum listed voltage (16VDC for 24VDC units) (8VDC for 12VDC units). For audibles the max current is usually at the maximum listed voltage. For unfiltered FWR ratings, see installation manual.

Wiring Diagram



Mounting Diagram



Order Codes and Options

GX93-R	Red Mini-Horn w/Standard Faceplate
GX93-W	Off-White Mini-Horn w/Standard Faceplate
GX93-PR	Red Mini-Horn w/Plain Faceplate
GX93-PW	Off-White Mini-Horn w/Plain Faceplate

[Check if this document is up to date](#) | [Give us feedback](#)

Advanced, 100 South Street, Hopkinton, MA. 01748 **T:** +508 435 9995 **E:** usa@advancedco.com **W:** us.advancedco.com

As our policy is one of constant product improvement the right is therefore reserved to modify product specifications without prior notice.