

Colored Lens Expander Plate

The Gentex GEP and GEPS Series is a wall mount expander plate with a quality colored lens strobe to be used in conjunction with a Gentex speaker or wall mount speaker/strobe allowing the ability to mount multiple strobes on a single electrical box. Applications include emergency communication, severe weather, evacuation, emergency response and many more.

The GEP Series is to be used in flush mount applications and the GEPS Series is to be used in surface mount applications. The GEP and GEPS Series strobes are designed to be used on a 24VDC system and are available in amber, blue, green and red lens colors. The amber lens units are provided with a turn dial for field selectable candela options. The blue, green and red lens units are available in a fixed 15/75 candela option. The strobes can be synchronized by using the Gentex AVSM Control Module, as well as FACP's or power supplies that include the Gentex Synchronization Protocol. All units feature ALERT text on the lens.

The GEP and GEPS Series are constructed of high impact textured plastic. The Series is warranted for 3 years from the date of purchase and are ANSI/UL 1638 listed. The amber lens units additionally comply with the light output dispersion requirements of ANSI/UL 1971 for wall mount applications with a measured candela rating that is equal to the candela listed on the product. No derating was required.



Features

- Lens Colors: Amber, Blue, Green and Red
- Alert Text on All Models
- Off-White Faceplate
- Synchronization with FACP or Gentex AVSM Module
- Wall Mount to 4" x 2.125" Deep Back Box
- Screw Terminals, Separate In/Out Wiring
- Use in Conjunction with Gentex Speakers or Wall Mount Speaker/Strobe (SOLD SEPARATELY)
- GEP Dimensions: 10.8" H x 6.6" W x 2.8" D
- GEPS Dimensions: 11.5" H x 7.26" W x 5.04" D
- Amber Lens Field Selectable Candela (15, 30, 60, 75, 110)
- Blue, Green & Red Candela 15/75
- GEPS Accommodates 1/2 and 3/4 Conduit
- Wire Strip Guide
- Xenon Strobe Maintains Constant Flash Rate of or at 1Hz

Listings and Approvals

- ANSI/UL 1638 Listed
- CSFM: 7300-0569.147

GEP Series Flush Mount Expander Plate

Model Number	Part Number	Lens Color	Nominal Voltage	Candela(s)
GEPA	904-0510-002	Amber	24 VDC	15, 30, 60, 75, 110
GEPB	904-0511-002	Blue	24 VDC	Fixed 15/75
GEPG	904-0512-002	Green	24 VDC	Fixed 15/75
GEPR	904/0513-002	Red	24 VDC	Fixed 15/75

GEPS Series Surface Mount Expander Plate

Model Number	Part Number	Lens Color	Nominal Voltage	Candela(s)
GEPAS	904-0514-002	Amber	24 VDC	15, 30, 60, 75, 110
GEPBS	904-0515-002	Blue	24 VDC	Fixed 15/75
GEPGS	904-0516-002	Green	24 VDC	Fixed 15/75
GEPRS	904-0517-002	Red	24 VDC	Fixed 15/75

Model Designations:

- All models are designed for wall mount applications
- All models available in white faceplate
- All models include ALERT text

Lens Colors: A = Amber, B = Blue, G = Green, R = Red

GEP/GEPS Amber Lens Strobe Current Ratings

Candela	UL Max ¹ Operating Current (mA)
15	78
30	96
60	137
75	180
110	224

Amber Lens Strobe Candela Ratings (Use with GEPA and GEPAS)

Candela	ANSI/UL 1638 On-Axis Candela Rating	ANSI/UL 1971 Measured Candela Rating, Wall Mount
15	15	15
30	30	30
60	60	60
75	75	75
110	110	110

Notice: Per NFPA 72, colored strobes are to be listed to ANSI/UL 1638. ANSI/UL 1971 is not applicable to coloured lens devices used in emergency communication installations. However, the listed readings were obtained using the light output measurement requirements under ANSI/UL 1971.

GEP/GEPS Blue, Green and RED Lens Strobe Current Ratings (Fixed 15/75* Candela Strobe)

Lens Color	UL Max ¹ Operating Current 9mA)
Blue	280
Green	360
Red	397

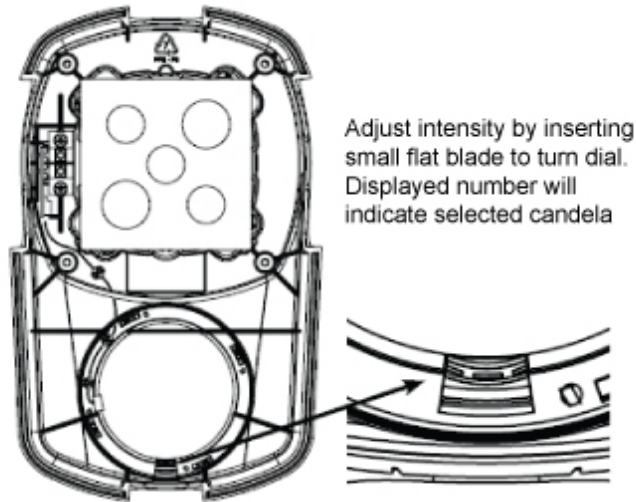
* The GEPB, GEPG, GEPR, GEPBS, GEPGS, GEPRS has a fixed candela rating of 15/75 per ANSI/UL 1638

Notes:

- Operating temperature 32 °F to 120 °F (0 °C to 49 °C). The GEP/GEPS Series is not listed for outdoor use.
- For nominal and peak current across ANSI/UL regulated voltage range for filtered DC power and unfiltered (FWR [Full Wave Rectified]) power, see installation manual.
- Gentex does not recommend using a coded or pulsing signaling circuit with any of our strobe products (see technical bulletin 014)
- The GEP/GEPS Series is not to be used as a visual public mode alarm notification appliance.

¹ RMS current ratings are per ANSI/UL average RMS method. ANSI/UL max current rating is the maximum RMS current within the listed voltage range (16-33 VDC for 24 VDC units). For strobes the UL max current is usually at the minimum listed voltage (16 VDC for 24 VDC units). For unfiltered FWR ratings, see installation manual.

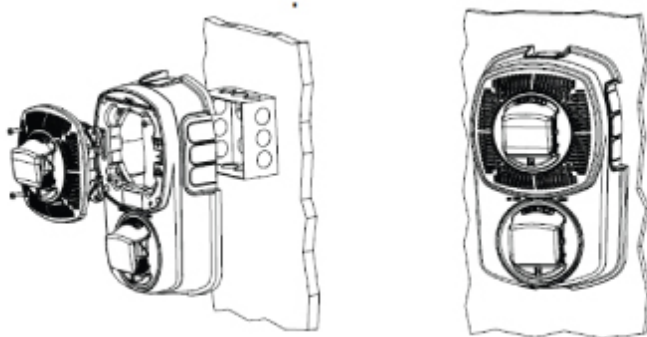
Candela Selection: GEPA & GEPAS Only



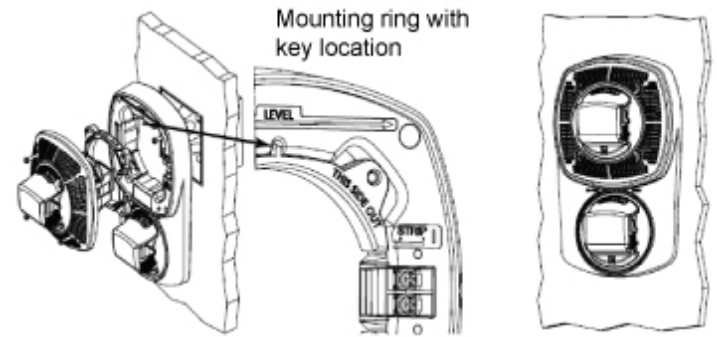
Additional Mounting Note

- Attach speaker or speaker/strobe using the mounting ring.
- Level line is to aid in alignment during installation.
- Includes wire strip guide.
- Includes for base locations for additional screw support, if needed.

GEPS Surface Mount Expander Plate

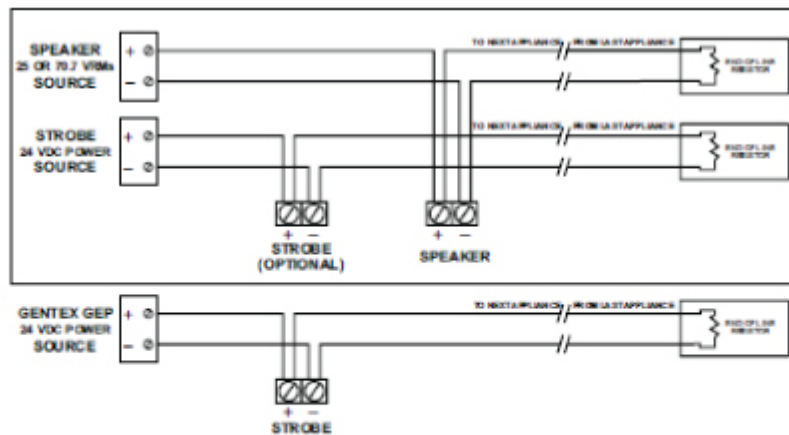


GEP Flush Mount Expander Plate



Wiring Diagram

CAUTION:
DO NOT USE
LOOPED WIRE
UNDER TERMINALS.
BREAK WIRE RUN
TO PROVIDE
SUPERVISION OF
CONNECTION.



NOTICE: SPEAKER OR
SPEAKER/STROBE
USED WITH GEP OR
GEPAS MUST BE
ORDERED
SEPARATELY.

WIRE CONDUCTIVITY

18 AWG	60
16 AWG	95
14 AWG	153
12 AWG	244

*MAX. WIRE DISTANCE (IN FEET) = $\frac{\text{PANEL VOLTAGE} - \text{DEVICE MINIMUM VOLTAGE}}{\text{TOTAL CURRENT DRAW}} \times \text{WIRE CONDUCTIVITY (STROBE ONLY)}$

* INCLUDES WIRE TO AND FROM APPLIANCE. ASSUMES ALL APPLIANCES ARE AT THE END OF WIRE RUN (WORST CASE). NOTICE: APPLIES ONLY TO REGULATED SUPPLIES.

- All strobes are designed to flash as specified with continuous applied voltage. Strobes should not be used on coded or pulsing signaling circuits. However, the use of the Gentex AVSM control module or Gentex synchronization protocol is permitted to synchronize the strobe, horn and/or mute the horn. See technical bulletin 014 for additional information.
- For synchronization wiring information, reference AVSM Control Module datasheet (551-0031) and/or AVSM Control Module manual (550-0284) for Synchronization Module wiring diagrams. AVSM Control Module datasheet and manual can be obtained at [HTTP://www.gentex.com](http://www.gentex.com) or Call Gentex Corporation at 1-800-436-8391.

Specification

The expander plate shall be Gentex GEP or GEPS Colored Lens Expander Plate or approved equivalent and shall be listed by Underwriters Laboratories, Inc. per ANSI/UL 1638 and the amber lens product shall have compliance with the polar dispersion requirements of ANSI/UL 1971. The GEP or GEPS shall also be listed with the California State Fire Marshal (CSFM) and comply with all local, state and federal fire alarm codes/standards. The Visual signal shall have a minimum 1 Hz flash rate regardless of input voltage. The unit shall have an input voltage range of 16-33 volts with either direct current or full wave rectified power for 24 volt models. All field wiring connections shall be made via separate in-out terminal connections.

[Check if this document is up to date](#) | [Give us feedback](#)

Advanced, 100 South Street, Hopkinton, MA. 01748 T: +508 435 9995 E: usa@advancedco.com W: us.advancedco.com

As our policy is one of constant product improvement the right is therefore reserved to modify product specifications without prior notice.