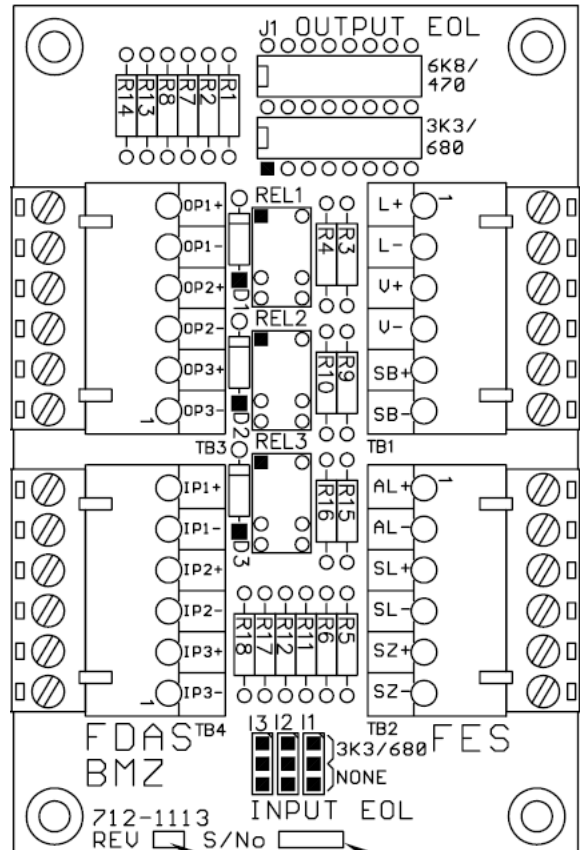


Routing / Protection Termination Card

The Routing/Protection Termination provides a standardised termination and interfacing between the panel and either routing equipment or protection equipment. The termination card is directly compatible with the input and output circuits of the Mxp-504 (Mx-5000 FAT/FBF/FSD/ÜE Interface) and Mxp-532 (Mx-5000 Routing / Protection Interface).

The interface provides three programmable circuits for transmission of activation signals from the FDAS (Fire Detection and Alarm System) to the routing / protection equipment (FES). In addition, three programmable circuits are provided for transmission of confirmation or status signals from the routing / protection equipment to the FDAS.



Features

- To be added

Specification

Outputs (x3)	Relay Input Impedance = 1K ohm Relay Output volt-free with built in EOL and activation resistors Option: 3K3/680R or 6K8/470R
Inputs (x3)	Volt-free with built in EOL and activation resistors Option: None or 3K3/680R
Operating Voltage	18V - 28V DC
Dimensions (H x W x D)	105 x 70 x 15mm
Weight	80g
Operating Temperature	0°C to 49°C (INDOOR DRY)
Humidity	10-95% (non-condensing)
Approvals	VdS G210022

Order Codes and Options

Compatibility

Can be used with all MxPro 5 series control panels programmed with version 50.07 software or later, compatible with the PC-Configuration tool from version 6.12 or later. The interface connects directly to peripheral bus connection in the panel.

[Check if this document is up to date](#) | [Give us feedback](#)

Advanced, The Bridges, Balliol Business Park, Newcastle upon Tyne, NE12 8EW, UK **T:** +44 (0)345 894 7000, **E:** enquiries@advancedco.com,
W: www.advancedco.com

As our policy is one of constant product improvement the right is therefore reserved to modify product specifications without prior notice.