

Pulse Light Modules

The Pulse light units are a range of addressable modules designed for use with the LuxIntelligent emergency lighting test panel. The modules provide the ability to make a standard emergency luminaire into an addressable luminaire that can be automatically tested and monitored by the LuxIntelligent panel twenty-four hours a day and three hundred and sixty-five days a year.

All the modules are loop powered, which means even if the local power fails where the luminaires or devices are installed, the panel will still be able to monitor their condition. They do not use any power from any batteries installed with the luminaires.

The Lxp-302 modules provide control and monitoring of the luminaire AC mains power, battery condition and lamp status, giving actual battery voltage and light level measurements at the control panel. This device may be used central battery and static inverter installations. The Lxp-302 module can be configured to monitor a luminaire operating as either a maintained or non-maintained luminaire.

The Lxp-110 module provides control of a central battery unit, whilst also being able to monitor fault conditions via a dry contact input.

The Lxp-111 module must be used in conjunction with the Lxp-302 module. It provides a light output based on the lamp current monitored. It is suitable for applications where it is not possible or convenient to monitor the actual light level directly, for example, tungsten lamps.

Installation

Typical wiring configurations are shown on the second page of this datasheet.



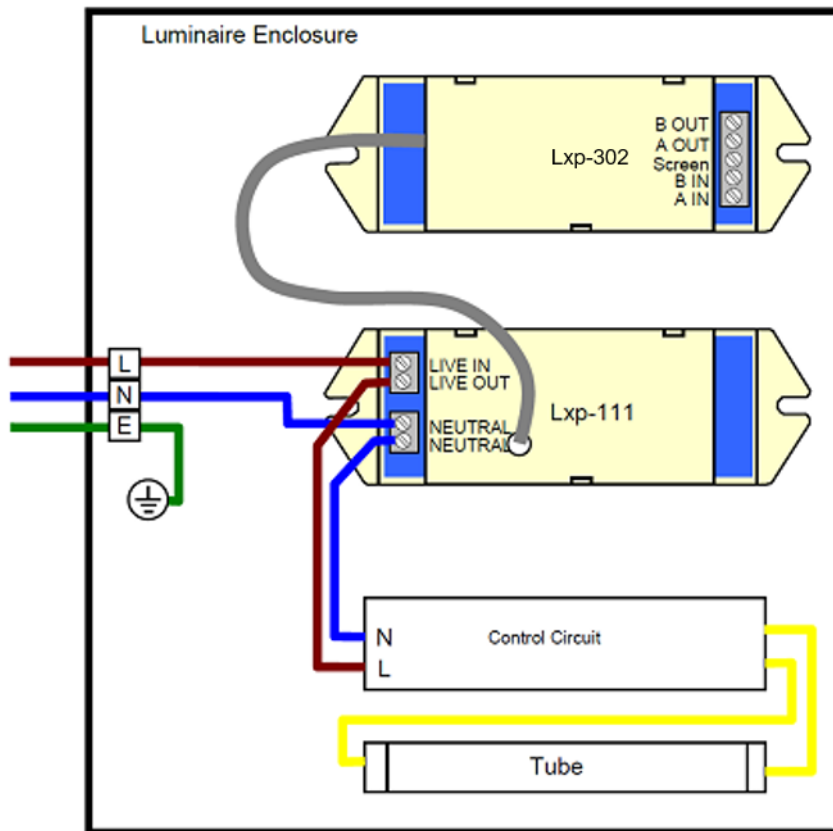
Features

- Allows standard emergency luminaire to be used as an addressable luminaire
- Allows the monitoring of critical parameters
- Enables the automatic testing of emergency luminaires
- Fully supports all the features of the LuxIntelligent panels

Specification

	Lxp-302	Lxp-110	Lxp-111
Dims. (H*W*D)	130*42*20	130*42*20	130*42*20
Fixing centres	118mm	118mm	118mm
Temperature	65°C	65°C	65°C
Terminal size	0.35-2.5mm ²	0.35-2.5mm ²	0.35-2.5mm ²
Addresses	1-249	1-249	1-249
Battery range	1.2-12.0V ±2%	N/A	N/A
Relay output	250V _{ac} (125VA)	N/A	N/A
Loop voltage	15-32V _{dc}	15-32V _{dc}	N/A
Current	1.7mA	1.7mA	N/A
Current (energised)	1.7mA	4.0mA	N/A
Current (on)	N/A	2.7mA	N/A

Typical Lxp-111 Installation



[Check if this document is up to date](#) | [Give us feedback](#)

Advanced, The Bridges, Balliol Business Park, Newcastle, NE12 8EW, UK T: +44 (0)1670 707 111, E: enquiries@luxintelligent.com, W: www.luxintelligent.com

As our policy is one of constant product improvement the right is therefore reserved to modify product specifications without prior notice.