

Pulse Light Modules

The Pulse light units are a range of addressable modules designed for use with the LuxIntelligent emergency lighting test panel. The modules provide the ability to make a standard emergency luminaire into an addressable luminaire that can be automatically tested and monitored by the LuxIntelligent panel twenty-four hours a day and three hundred and sixty-five days a year.

All the modules are loop powered, which means even if the local power fails where the luminaires or devices are installed, the panel will still be able to monitor their condition. They do not use any power from any batteries installed with the luminaires.

The LXP-302 modules provide control and monitoring of the luminaire AC mains power, battery condition and lamp status, giving actual battery voltage and light level measurements at the control panel. This device may be used central battery and static inverter installations. The LXP-302 module can be configured to monitor a luminaire operating as either a maintained or non-maintained luminaire.

The LXP-110 module provides control of a central battery unit, whilst also being able to monitor fault conditions via a dry contact input. It can also be used as an addressable relay to trigger specific groups of lights. By combining the LXP-110 with a third-party 240V Relay which is connected to a local lighting circuit, the LXP-110 can be used to trigger our low-voltage range of luminaires called EasySafe.

Installation

Typical wiring configurations are shown on the second page of this datasheet.



Features

- Allows standard emergency luminaire to be used as an addressable luminaire
- Allows the monitoring of critical parameters
- Enables the automatic testing of emergency luminaires
- Fully supports all the features of the LuxIntelligent panels

Specification

Part Number	LXP-302	LXP-110
Dimensions (H*W*D)	130*42*20	130*42*20
Fixing centres	118mm	118mm
Temperature	65°C	65°C
Terminal size	0.35-2.5mm ²	0.35-2.5mm ²
Addresses	1-249	1-249
Battery range	1.2-12.0V ±2%	N/A
Relay output	250V _{ac} (125VA)	N/A
Loop voltage	15-32V DC	15-32V DC
Current	1.7mA	1.7mA
Current (energised)	1.7mA	4.0mA
Current (on)	N/A	2.7mA
Input load	N/A	N/A

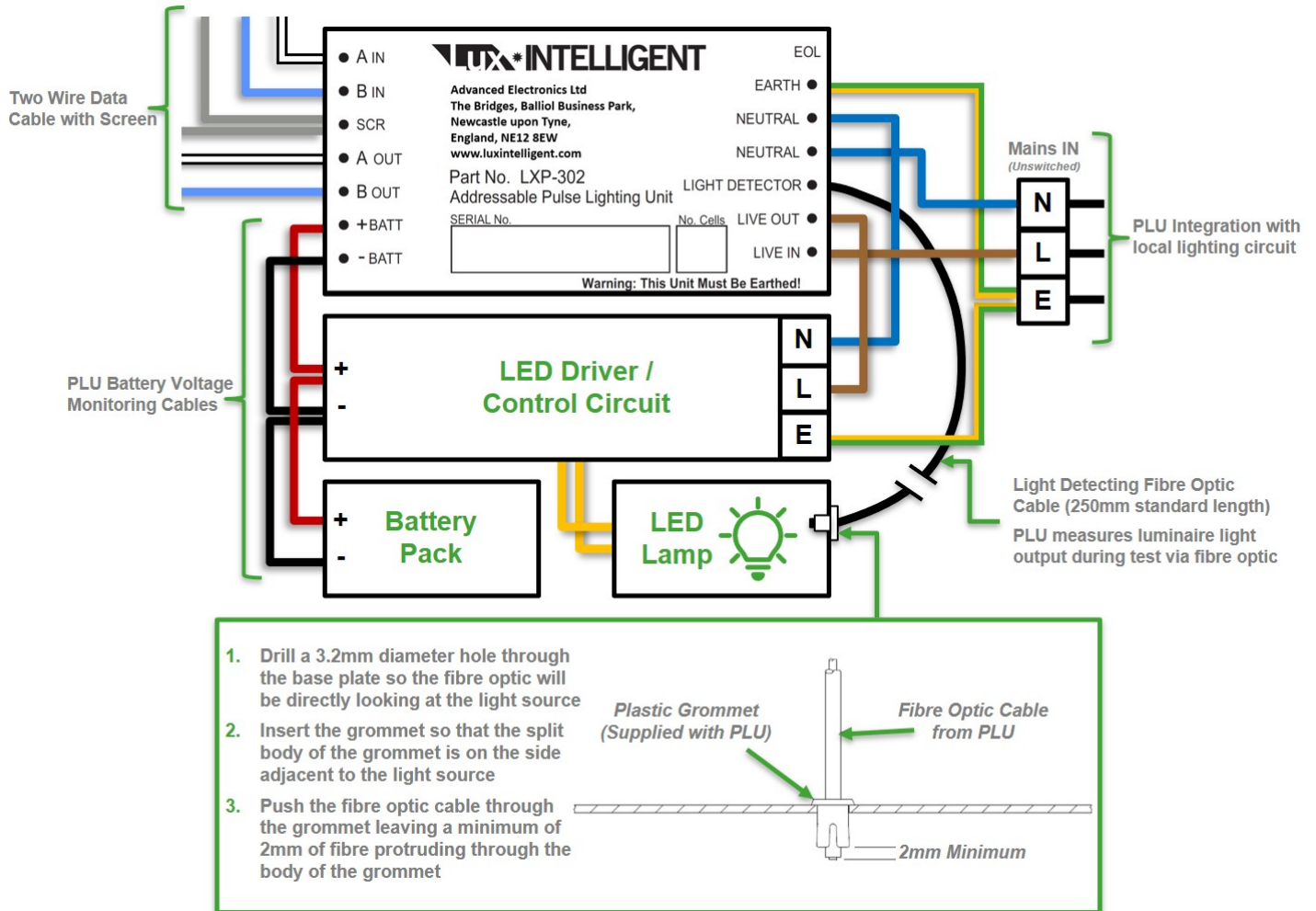
Order Codes and Options

LXP-302:	Standard PLU with 250mm fibre optic
LXP-302L:	Standard PLU with 1000mm fibre optic
LXP-110:	Input/Output Module

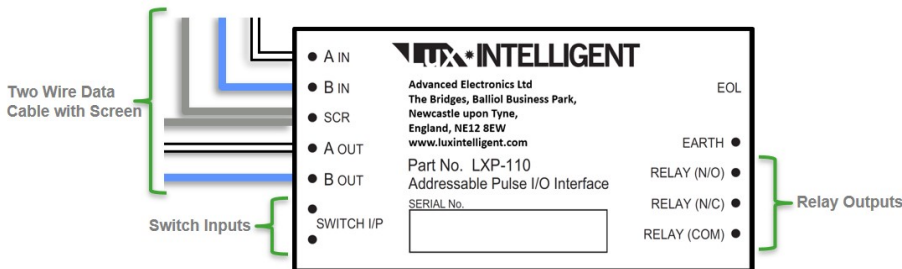
More Information

All pulse light modules communicate over a two-wire communication link. They all have two pairs of terminal chambers to allow loop in and loop out cabling. The LXP-302 module is supplied with the necessary grommets for mounting of the fibre optics.

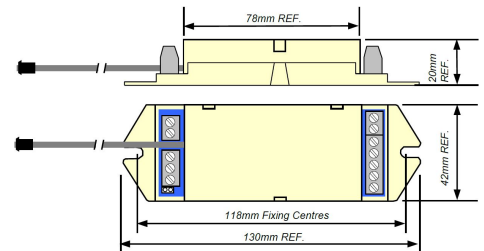
Typical LXP-302 Wiring Installation



LXP-110 Input/Output Unit



PLU and I/O Unit Dimensions



[Check if this document is up to date](#) | [Give us feedback](#)

Advanced, The Bridges, Balliol Business Park, Newcastle, NE12 8EW, UK T: +44 (0)1670 707 111, E: enquiries@luxintelligent.com, W: www.luxintelligent.com

As our policy is one of constant product improvement the right is therefore reserved to modify product specifications without prior notice.