

## Twin-LED IP65 Weatherproof

The Twin-LED IP65 Weatherproof projector luminaire provides a simple and efficient means of creating a high level of emergency illumination across a given area. The luminaire uses a unique lens system offering a high degree of optical control resulting in high-intensity beam patterns across a working plane.

### Operation

The standard luminaire mode of operation is as a non-maintained emergency unit. In the event of a power failure, the units will switch to emergency operation immediately, making them ideal for high-risk areas. They will operate the projectors for three hours, or the return of power. The two 3 Watt LED projector heads are powered by integral nickel cadmium (NiCd) rechargeable batteries that fully comply with the requirements of BS EN 60598-2-22. The emergency function fully supports all the features of the LuxIntelligent test system.

### Installation

The projector heads can be remotely mounted away from the control box. The construction of the control box also allows for the mounting of the unit with the projectors on the underside. The luminaire has 20mm knock-outs in one end at the back for ease of cable entry.

### Spacing

When wall mounted at 2.5m high, the Twin-LED can be spaced 25 metres apart to achieve 1 Lux on a corridor centre line. Full photometric files available on request.



### Features

- IP65 Weatherproof
- Ideal for high risk processes
- Energy efficient LED solution
- Complies with BS EN 60598-2-22
- Full photometry available
- Wall mounted at 2.5m, can be spaced at 25 metres achieving 1 Lux centre line
- Fully compatible with LuxIntelligent test system
- IP20 variant available

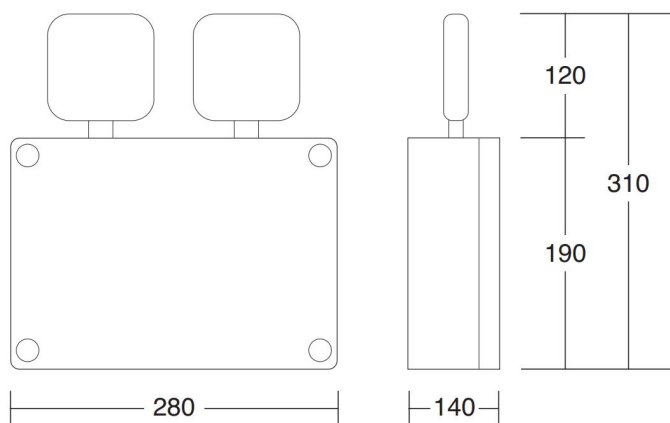
### Order Codes and Options

TLED/NM3/P/WP	Twin-LED Weatherproof Spotlights, Wall Mount, Non-Maintained, Addressable, IP65
TLED/NM3/P	Twin-LED Spotlights, Wall Mount, Non-Maintained, Addressable

## Specification

Supply voltage	230V (220-240V) @ 50Hz
Supply power	6W
Light source	Two 3W LED heads (5 white LEDs each)
Light output	2 * 520lm
Recharge period	24 hours (14 hours to one hour duration)
Charging power (typical)	2.5W
IP rating	IP65
Ambient temperature	25°C
Insulation class	Class II
Colour temperature	5000K
Dimensions (mm)	280 x 190 x 140 (W x H x D)
Total height (including heads, mm)	310
Weight	3.6kg
Battery	7.2V 4.5Ah NiCd

## Twin-LED IP65 Weatherproof Dimensions



## Standby / Non-Maintained



[Check if this document is up to date](#) | [Give us feedback](#)

Advanced, The Bridges, Balliol Business Park, Newcastle, NE12 8EW, UK T: +44 (0)1670 707 111, E: [enquiries@luxintelligent.com](mailto:enquiries@luxintelligent.com), W: [www.luxintelligent.com](http://www.luxintelligent.com)

As our policy is one of constant product improvement the right is therefore reserved to modify product specifications without prior notice.