

Legacy Add-Lite

The Add-Lite is a stylish low profile 8W fluorescent luminaire with a white base and comes as standard with an opal diffuser.

The Add-Lite comes complete as a high light output product, providing 180 Lumens in emergency operation. A clear prismatic diffuser option is also available and is ideal for self-adhesive safety sign legends.

The Add-Lite is available with mains only, non-maintained or switchable maintained modes of operation. Maintained versions can be used for standard switched mains lighting but will automatically provide emergency lighting in the event of a complete loss of normal mains supply.

All emergency versions provide three-hour duration as standard from integral high-temperature nickel cadmium batteries and comes complete with an 8W T5 lamp and gear mounted on a removable gear tray. The Add-Lite has the added benefit of clip on diffusers for ease of access and fully complies with the requirements of EN60598.2.22.

The Add-Lite is available in a variety of configurations including addressable slave versions for central battery operation, covering a range of operating voltages including 24, 48 and 110Vdc. The luminaire is supplied as standard, complete with communication capability for use with the LuxIntelligent range of emergency lighting test panels.



Features

- Stylish low profile luminaire
- Fully LuxIntelligent compatible
- Quick access for changing lamps
- Fully compliant with EN60598.2.22

Specification

Supply voltage	230Volt (220-240V) @ 50Hz
Light source	8 Watt T5 fluorescent
Supply current	Maintained:90mA Non-maintained: 40mA
Battery	3.6V 4Ah NiCd
Recharge period	24 hours (14 hours for 1-hour duration)
Cable entry	20mm drilling points in sides and back
IP rating	IP20 Ta 25°C
Dimensions (mm)	390 (L) x 186 (W) x 70 (H)

Order Codes and Options

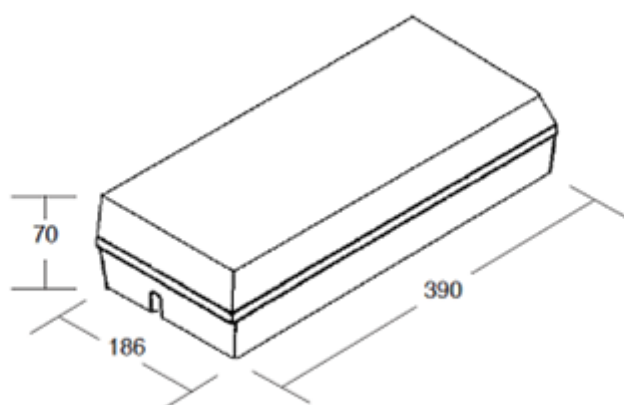
AL8/M3/P-H:	Add-Lite 8W 3 hour maintained 3 cell addressable bulkhead
AL8/NM3/P-H:	Add-Lite 8W 3 hour non-maintained 3 cell addressable bulkhead
AL8/NM3/P-H/RL:	Add-Lite 8W 3 hour non-maintained addressable bulkhead c/w relay
AL8/24/P:	Add-Lite 8W addressable slave bulkhead

More Information

Spacing Data

	Mounting height Hm (m)	Trans. to wall	Trans. to trans.	Axial to trans.	Axial to axial	Axial to wall	
Best case (HighLight fresnel)	2.5	3.0	9.2	8.1	5.4	2.0	1 Lux min. at centre
	4.0	2.4	8.7	4.6	4.3	1.4	
	2.5	5.1	12.5	10.6	6.5	2.6	0.5 Lux min. (open)
	4.0	4.4	12.6	10.8	6.9	2.2	

Dimensions



Example of adhesive legend



[Check if this document is up to date](#) | [Give us feedback](#)

Advanced, The Bridges, Balliol Business Park, Newcastle, NE12 8EW, UK T: +44 (0)1670 707 111, E: enquiries@luxintelligent.com, W: www.luxintelligent.com

As our policy is one of constant product improvement the right is therefore reserved to modify product specifications without prior notice.