

## Legacy Lumi-Lite

The Lumi-Lite luminaire provides a high-quality IP65 rated bulkhead, complete with an opal polycarbonate diffuser. The Lumi-Lite is a high output product, providing 180 Lumens in emergency as standard, creating opportunities to minimise the number of luminaires required in an installation. Lumi-Lite luminaires can be surface mounted or semi-recessed and can be used, in conjunction with adhesive legends, to direct building occupants to their nearest means of exit.

The Lumi-Lite is available in a variety of configurations including addressable slave versions for central battery operation, covering a wide range of operating voltages (24, 48 and 110Vdc). The luminaire is supplied as standard, complete with communication capability for use with the LuxIntelligent range of emergency lighting test systems.

### Operation

The Lumi-Lite is available as a mains only luminaire, or with non-maintained or switchable maintained modes of operation. Maintained versions can be used for standard switched mains lighting but will automatically provide emergency lighting in the event of a complete loss of normal mains supply. All emergency versions provide three-hour duration as standard from integral high-temperature nickel cadmium batteries and come complete with an 8W T5 lamp and gear mounted on a removable gear tray. The Lumi-Lite fully complies with the requirements of EN60598.2.22.

### Installation

The luminaire comes complete with cable entries at both ends and in the back.



### Features

- Robust IP65 rated luminaire
- High 180-lumen output as standard
- Suitable for adding directional legends
- Fully compliant with EN60598.2.22
- Fully supports LuxIntelligent testing system
- Available in a wide selection of configurations

### Specification

Supply voltage	230Volt (220-240V) @ 50Hz
Supply current	Maintained: 90mA Non-maintained:40mA
Light source	8W T5
Battery	3.6V 4Ahr NiCd
Recharge period	24 hours (14 hours 1-hour duration)
Cable entry	20mm drilling points in ends and back
IP rating	IP65 @ Ta 25°C
Geartray	Hinged white painted steel
Dimensions (mm)	370 x 140 x 100 (L x W x H)

## Order Codes and Options

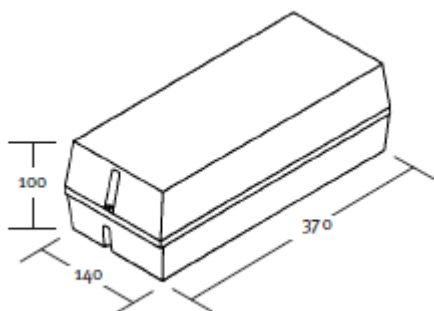
LL8/M3/P-H:	Lumi-Lite 8W maintained 3 hour addressable luminaire
LL8/NM3/P-H:	Lumi-Lite 8W non-maintained 3 hour addressable luminaire
LL8/B:	Lumi-Lite semi-recessible bezel
LL8/WG:	Lumi-Lite attachable wire guard
LEG-001:	Adhesive legend for use on Lumi-Lites
LL8/NM3/P-H/SOC:	Lumi-Lite 8W non-maintained 3 hour addressable luminaire with data and power sockets
LL8/NM3/P-H/RL:	Lumi-Lite 8W non-maintained 3 hour addressable luminaire with relay

## More Information

### Spacing Data

Mounting height Hm (m)	Trans. to wall	Trans. to trans.	Axial to trans.	Axial to axial	Axial to wall	
2.5	3.0	9.2	8.1	5.4	2.0	1 Lux min. at centre
4.0	2.4	8.7	4.6	4.3	1.4	
2.5	5.1	12.5	10.6	6.5	2.6	0.5 Lux min. (open)
4.0	4.4	12.6	10.8	6.9	2.2	

### Dimensions



[Check if this document is up to date](#) | [Give us feedback](#)

Advanced, The Bridges, Balliol Business Park, Newcastle, NE12 8EW, UK T: +44 (0)1670 707 111, E: [enquiries@luxintelligent.com](mailto:enquiries@luxintelligent.com), W: [www.luxintelligent.com](http://www.luxintelligent.com)

As our policy is one of constant product improvement the right is therefore reserved to modify product specifications without prior notice.