

## Legacy Flush-Lite

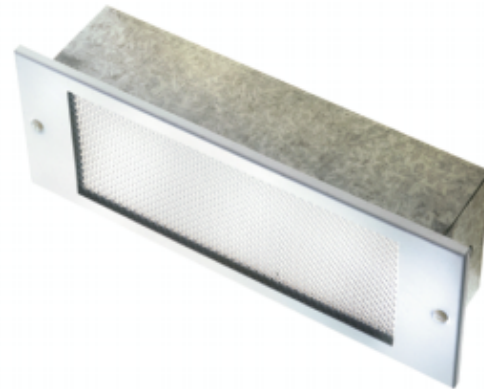
A Flush-Lite luminaire is a discrete option of introducing emergency lighting to a location. The luminaires sit almost completely flush to the surface of the wall or ceiling, available with white surface trim plates, or for a more stylish option, Chrome or Brass surface plates can be supplied with the luminaire.

The standard Flush-Lite comes with a galvanised steel back box, epoxy coated white surface trim and a prismatic polycarbonate diffuser. This can be replaced with an opal polycarbonate panel if required. This is a good option if it is planned to add an adhesive exit legend to the Flush-Lite.

### Operation

The Flush-Lite is available as maintained and non-maintained units, which in the event of a local lighting circuit power outage, the Flush-Lite will output 180 Lumens for three hours from integral high-temperature nickel cadmium batteries. Maintained versions can be used for standard switched mains lighting but will automatically provide emergency lighting in the event of a complete loss of normal mains supply.

The luminaires fully comply with the requirements of EN60598.2.22 and fully supports all of the features of the LuxIntelligent range of testing panels.



### Features

- Discrete emergency luminaire
- High 180 lumens output in emergency
- Fully complies with EN60598.2.22
- Fully supports all the features of the LuxIntelligent panels

### Specification

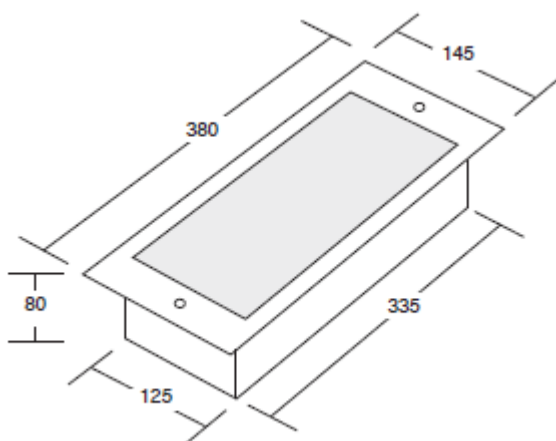
Supply voltage	230 Volts (220-240V) @ 50Hz
Supply current	Maintained: 90mA Non-maintained:40mA
Lamp	8W T5
Battery	3.6V 4 AHr NiCd (nominal charge current 250mA)
Recharge period	24 Hours (14 hours for 1 hour duration)
Cable entry	20mm holes at each end
Geartray	White painted steel on keyhole slots
IP rating	IP25 at Ta °C
Dimensions (mm)	Cut-out 340 (L) x 128 (W) Fascia plate 380 (L) x 145 (W)

### Order Codes and Options

FL8/M3/P-H:	Flush-Lite 8W 3 hour maintained 3 cell addressable luminaire
FL8/NM3/P-H:	Flush-Lite 8W 3 hour non-maintained 3 cell addressable luminaire
FL8/M3/P-H/OP:	Flush-Lite 8W 3 hour maintained 3 cell addressable luminaire with opal diffuser
Leg-001:	Adhesive exit legend

## More Options

### Flush-Lite Dimensions



### Flush-Lite Finishes

The Flush-Lite is available with alternative polished trim plates. These are available in polished chrome or brass. Use the suffixes listed below to select an alternative finish.

**/CH** Polished Chrome      **/BR** Polished Brass

For example, FL8/NM3/P-H/CH

[Check if this document is up to date](#) | [Give us feedback](#)

Advanced, The Bridges, Balliol Business Park, Newcastle, NE12 8EW, UK T: +44 (0)1670 707 111, E: [enquiries@luxintelligent.com](mailto:enquiries@luxintelligent.com), W: [www.luxintelligent.com](http://www.luxintelligent.com)

As our policy is one of constant product improvement the right is therefore reserved to modify product specifications without prior notice.