

## Weather-LED

Weather-LED luminaires provide attractive and robust solutions for providing lighting to areas such as walkways, tunnels, storage areas and car parks and are fully compatible with both existing and new LuxIntelligent systems.

Weather-LED is available in a choice of three covers: standard, eyelid and crossblade. The eyelid and crossblade covers are cast aluminium for additional robustness - see photos below for examples.

The enclosure is sealed to IP65 and houses a geartray, electronic driver and multi-circuit LED board. The polycarbonate lens provides excellent photometric performance (1750 luminaire lumens).

The robust cast aluminium & polycarbonate enclosure is vandal resistant and provides protection to IP65/IK10. Suitable for ambient temperatures of up to 35°C (25°C for emergency versions), the units are ideal for both interior and exterior environments.

### Operation

Weather-LED luminaires are available as a Maintained emergency operation. All versions provide a 3-hour duration from integral high temperature nickel cadmium (NiCd) batteries.

By being Maintained luminaires, they can be used for standard switched mains lighting but will automatically provide emergency lighting in the event of a complete loss of normal mains supply.

The benefits of the modern white low power LEDs include long life (typically 50,000 hours+), excellent energy efficiency, and low operating temperatures which improves the life of the internal batteries.

Weather-LED luminaires are fully comply to the requirements of EN60598.2.22



### Features

- Decorative circular LED luminaire
- Fully addressable and compatible with LuxIntelligent systems
- IP65 rating
- Multiple covers available
- Long-life LEDs (50,000 hours)
- Low power consumption
- Standard and microwave sensor versions available
- Fully complies with all aspects of EN60598.2.22
- 1750lm under mains operation
- 280lm under emergency operation

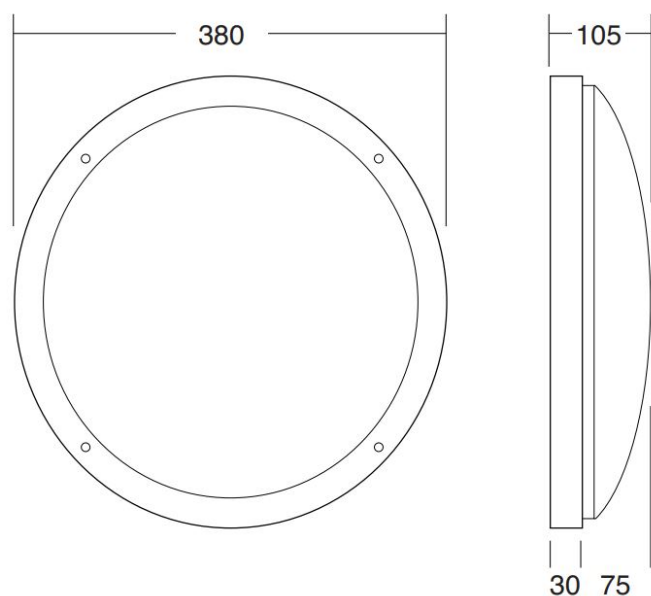
## General Details & Specification

Product	Weather-LED
Light source	Multi-circuit LEDs
Construction	Cast aluminium body (incl. EYE or CDB covers) with polycarbonate opal lens
Geartray	White PCB fixed keyhole slots
Dimensions	360mm (diameter) x 100mm max (H)
Cable entry	20mm conduit in back
Light source	Surface-mounted white LEDs (2500lm max.)
Colour temperature	4500K
Luminaire lumens (mains)	1750lm (1400lm EYE version)
Luminaire lumens (emergency)	280lm (224lm EYE version)
IP rating	IP65
Ambient temperature (Ta)	35C (25C emergency)
Insulation class	Class I
Supply voltage	230V 50Hz
Supply power	22.0W (21.4W EYE version)
Charge power (typical)	3W
Battery	5 x 2Ah NiCd sub-C cells
Weight	3.9kg

## Spacing Data (does not apply to eyelid cover)

Mounting height (Hm (m))	Spacing (m) min 0.5Lux open area	Spacing (m) min 1Lux escape
2.0	10.7	7.5
2.5	11.3	7.6
3.0	12.3	7.8
4.0	12.5	8.2

## Dimensions and Back Panel



Eyelid Cover



Crossblade Cover



## Options and Order Codes

WLED/M3/P	Weather-LED IP65 Circular LED, Maintained 3 Hour Emergency Luminaire
WLED/M3/P/MW	Weather-LED IP65 Circular LED, Maintained 3 Hour Emergency Luminaire with Microwave Sensor
WLED/M3/P/EYE	Weather-LED IP65 Circular LED, Maintained 3 Hour Emergency Luminaire with Eyelid Cover
WLED/M3/P/EYE/MW	Weather-LED IP65 Circular LED, Maintained 3 Hour Emergency Luminaire with Eyelid Cover & Microwave Sensor
WLED/M3/P/CBD	Weather-LED IP65 Circular LED, Maintained 3 Hour Emergency Luminaire with Crossblade Cover
WLED/M3/P/CBD/MW	Weather-LED IP65 Circular LED, Maintained 3 Hour Emergency Luminaire with Crossblade Cover & Microwave Sensor

[Check if this document is up to date](#) | [Give us feedback](#)

Advanced, The Bridges, Balliol Business Park, Newcastle, NE12 8EW, UK T: +44 (0)1670 707 111, E: [enquiries@luxintelligent.com](mailto:enquiries@luxintelligent.com), W: [www.luxintelligent.com](http://www.luxintelligent.com)

As our policy is one of constant product improvement the right is therefore reserved to modify product specifications without prior notice.