

Mor-LED High Output (800lm / 50 lux)

The Mor-LED High Output bulkhead is a robust IP65-rated polycarbonate base and polycarbonate fresnel lens. Mor-LED High Output luminaires provide 800 lumen output as standard, with the fresnel lens creating cost effective opportunities to minimise the number of luminaires required within an installation.

Mor-LED luminaires can be surface mounted or semi-recessed and are ideal for exterior and industrial applications where higher illuminance levels are required.

The luminaire provides 800 lumens and the lens generates a wide intensity distribution ideal for providing good luminance on an escape route. The Mor-LED fully supports all features of the LuxIntelligent test system and complies fully with all the relevant requirements of EN60598.2.22.

Operation

The Mor-LED is supplied with integral maintained emergency lighting control gear. The non-maintained operation is achieved by excluding the switched live supply. The self-contained variants offer 3-hour emergency lighting duration from integral nickel cadmium batteries. The luminaires can be used for standard switched mains lighting but will automatically provide emergency lighting in the event of a loss of local mains supply. They are ideal for low-maintenance applications offering 4 to 5 years of maintenance-free operation and provide an excellent solution to anywhere with a high lux requirement such as 50 lux in an emergency in a treatment room.



- Fully compatible with LuxIntelligent test system
- High output 800 Lumens
- Long-life LEDs (50,000 hours)
- IP65-rated bulkhead
- Low power consumption
- Suitable for use in cold stores (down to -20C)
- Fully complies with all aspects of EN60598.2.22
- Lens can be fitted with 100mm high self-adhesive signs
- Suitable for 50 lux minimum requirements like treatment rooms

Specifications

	Maintained	Mains Only
Light source	2 x LED strip PCBs	
Colour temperature	4500k	
Luminaire lumens (mains)	-	800lm
Luminaire lumens (emergency)	800lm	-
IP rating	IP65	
Ambient temperature (Ta)	25°C	
Insulation class	Class I	
Supply voltage	230V +/- 10% ~50Hz	
Supply current	25mA	40mA
Supply power (mains)	5W	8W
Charge power (typical)	4W	-
Battery	702V 3.0Ah NiCd	
Weight	1.4kg	1.0kg

Order Codes

RLED/NM3/P/HO	M or-LED 3 Hour Non-Maintained Addressable Bulkhead - High Output LED 800 Lumens
RLED/230/HO	Mor-LED Mains Only High Output LED 800 Lumens
RLED/B:	Mor-LED semi-recessing bezel

(Luminaire can be used as maintained or non-maintained)

Spacing Data

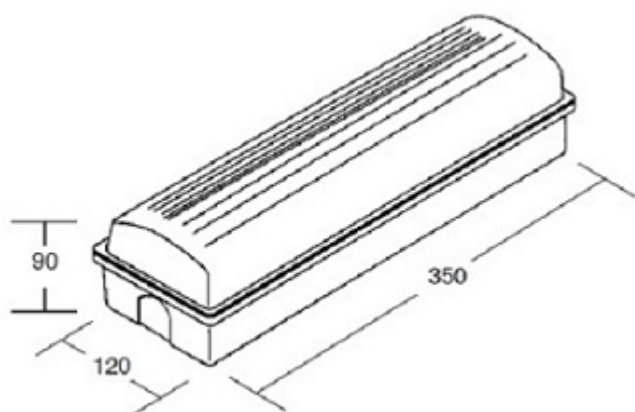
1 lux minimum at centre line (escape route)

Mounting Height (M)	Trans. to wall	Trans. to trans.	Axial to trans.	Axial to axial	Axial to wall
2.5	5.0	11.4	10.1	9.5	4.1
4.0	7.9	16.6	14.9	15.1	5.9
8.0	10.6	20.1	18.6	19.9	8.8
10.0	8.8	19.5	18.1	18.4	6.6
12.0	7.3	15.8	14.6	14.7	5.4

0.5 lux minimum (open area)

Mounting Height (M)	Trans. to wall	Trans. to trans.	Axial to trans.	Axial to axial	Axial to wall
2.5	5.7	12.2	11.0	10.7	4.4
4.0	8.0	17.0	15.8	17.5	6.5
8.0	11.0	22.4	22.1	21.9	9.0
10.0	9.8	23	22.6	22.3	7.1
12.0	7.6	23.9	23.4	22.9	5.7

Dimensions



[Check if this document is up to date](#) | [Give us feedback](#)

Advanced, The Bridges, Balliol Business Park, Newcastle, NE12 8EW, UK T: +44 (0)1670 707 111, E: enquiries@luxintelligent.com, W: www.luxintelligent.com

As our policy is one of constant product improvement the right is therefore reserved to modify product specifications without prior notice.