

Add-Lite

The Add-Lite is a stylish low profile 8W fluorescent luminaire with a white base and comes as standard with an opal diffuser.

The Add-Lite comes complete as a high light output product, providing 180 Lumens in emergency operation. A clear prismatic diffuser option is also available and is ideal for self-adhesive safety sign legends.

The Add-Lite is available with mains only, non-maintained or switchable maintained modes of operation. Maintained versions can be used for standard switched mains lighting but will automatically provide emergency lighting in the event of a complete loss of normal mains supply.

All emergency versions provide three-hour duration as standard from integral high-temperature nickel cadmium batteries and comes complete with an 8W T5 lamp and gear mounted on a removable gear tray. The Add-Lite has the added benefit of clip on diffusers for ease of access and fully complies with the requirements of EN60598.2.22.

The Add-Lite is available in a variety of configurations including addressable slave versions for central battery operation, covering a range of operating voltages including 24, 48 and 110Vdc. The luminaire is supplied as standard, complete with communication capability for use with the LuxIntelligent range of emergency lighting test panels.



Features

- Stylish low profile luminaire
- Fully LuxIntelligent compatible
- Quick access for changing lamps
- Fully compliant with EN60598.2.22

Specification

| | |
|-----------------|---|
| Supply voltage | 230Volt (220-240V) @ 50Hz |
| Light source | 8 Watt T5 fluorescent |
| Supply current | Maintained:90mA Non-maintained: 40mA |
| Battery | 3.6V 4Ah NiCd |
| Recharge period | 24 hours (14 hours for 1-hour duration) |
| Cable entry | 20mm drilling points in sides and back |
| IP rating | IP20 Ta 25°C |
| Dimensions (mm) | 390 (L) x 186 (W) x 70 (H) |

Order Codes and Options

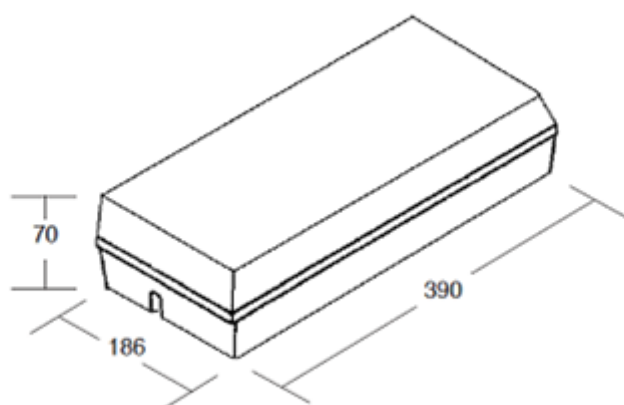
| | |
|-----------------|--|
| AL8/M3/P-H: | Add-Lite 8W 3 hour maintained 3 cell addressable bulkhead |
| AL8/NM3/P-H: | Add-Lite 8W 3 hour non-maintained 3 cell addressable bulkhead |
| AL8/NM3/P-H/RL: | Add-Lite 8W 3 hour non-maintained addressable bulkhead c/w relay |
| AL8/24/P: | Add-Lite 8W addressable slave bulkhead |

More Information

Spacing Data

| | Mounting height Hm (m) | Trans. to wall | Trans. to trans. | Axial to trans. | Axial to axial | Axial to wall | |
|-------------------------------|------------------------|----------------|------------------|-----------------|----------------|---------------|----------------------|
| Best case (HighLight fresnel) | 2.5 | 3.0 | 9.2 | 8.1 | 5.4 | 2.0 | 1 Lux min. at centre |
| | 4.0 | 2.4 | 8.7 | 4.6 | 4.3 | 1.4 | |
| | 2.5 | 5.1 | 12.5 | 10.6 | 6.5 | 2.6 | 0.5 Lux min. (open) |
| | 4.0 | 4.4 | 12.6 | 10.8 | 6.9 | 2.2 | |

Dimensions



Example of adhesive legend



[Check if this document is up to date](#) | [Give us feedback](#)

Advanced, The Bridges, Balliol Business Park, Newcastle, NE12 8EW, UK T: +44 (0)1670 707 111, E: enquiries@luxintelligent.com, W: www.luxintelligent.com

As our policy is one of constant product improvement the right is therefore reserved to modify product specifications without prior notice.