

Pulse Light Modules

The Pulse light units are a range of addressable modules designed for use with the Lux Intelligent emergency lighting test panel. The modules provide the ability to make a standard emergency luminaire into an addressable luminaire that can be automatically tested and monitored by the Lux Intelligent panel twenty-four hours a day and three hundred and sixty-five days a year.

All the modules are loop powered, which means even if the local power fails where the luminaires or devices are installed, the panel will still be able to monitor their condition. They do not use any power from any batteries installed with the luminaires.

The Lxp-302 modules provide control and monitoring of the luminaire AC mains power, battery condition and lamp status, giving actual battery voltage and light level measurements at the control panel. The Lxp-304 module purely monitors the lamp status reporting an actual light level. This device is specifically designed for central battery and static inverter installations. Both the Lxp-302 and Lxp-304 modules can be configured to monitor a luminaire operating as either a maintained or non-maintained luminaire.

The Lxp-110 module provides control of a central battery unit, whilst also been able to monitor fault conditions via a dry contact input.

The Lxp-111 module must be used in conjunction with the Lxp-302/304 modules. It provides a light output based on the lamp current monitored. It is suitable for applications where it is not possible or convenient to monitor the actual light level directly, for example, tungsten lamps.

Installation

Typical wiring configurations are shown on the second page of this datasheet.



Features

- Allows standard emergency luminaire to be used as an addressable luminaire
- Allows the monitoring of critical parameters
- Enables the automatic testing of emergency luminaires
- Fully supports all the features of the Lux Intelligent panels
- I/O Device suitable to support Easy Safe installations

Easy*SAFE

Specification

	Lxp-302	Lxp-304	Lxp-110	Lxp-111
Dims. (H*W*D)	130*42*20	130*42*20	130*42*20	130*42*20
Fixing Centres	118mm	118mm	118mm	118mm
Temperature	65°C	65°C	65°C	65°C
Terminal Size	0.35-2.5mm ²	0.35-2.5mm ²	0.35-2.5mm ²	0.35-2.5mm ²
Addresses	1-249	1-249	1-249	1-249
Battery Range	1.2-12.0V ±2%	N/A	N/A	N/A
Relay Output	250V _{ac} (125VA)	N/A	N/A	N/A
Loop Voltage	15-32V _{dc}	15-32V _{dc}	15-32V _{dc}	N/A
Current	1.7mA	1.7mA	1.7mA	N/A
Current (Energised)	1.7mA	N/A	4.0mA	N/A

Current (On)	N/A	N/A	2.7mA	N/A
Input Load	N/A	N/A	N/A	40-150W

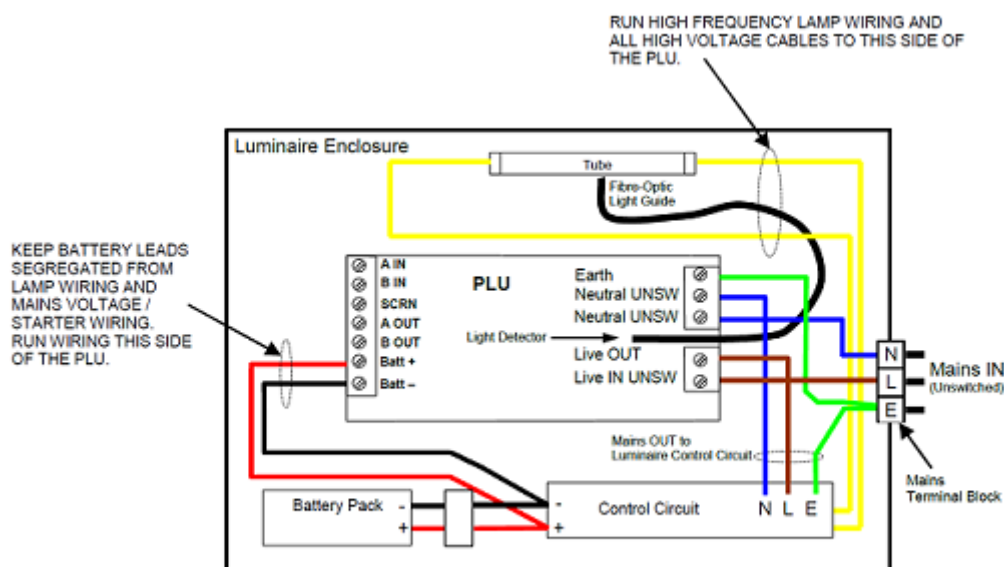
Order Codes and Options

Lxp-302:	Standard PLU with 250mm fibre optic
Lxp-302L:	Standard PLU with 1000mm fibre optic
Lxp-304:	Light only PLU with 250mm fibre optic
Lxp-304L:	Light only PLU with 1000mm fibre optic
Lxp-110:	Central battery/ Circuit monitor control unit
Lxp-111:	Current sense pulse light unit

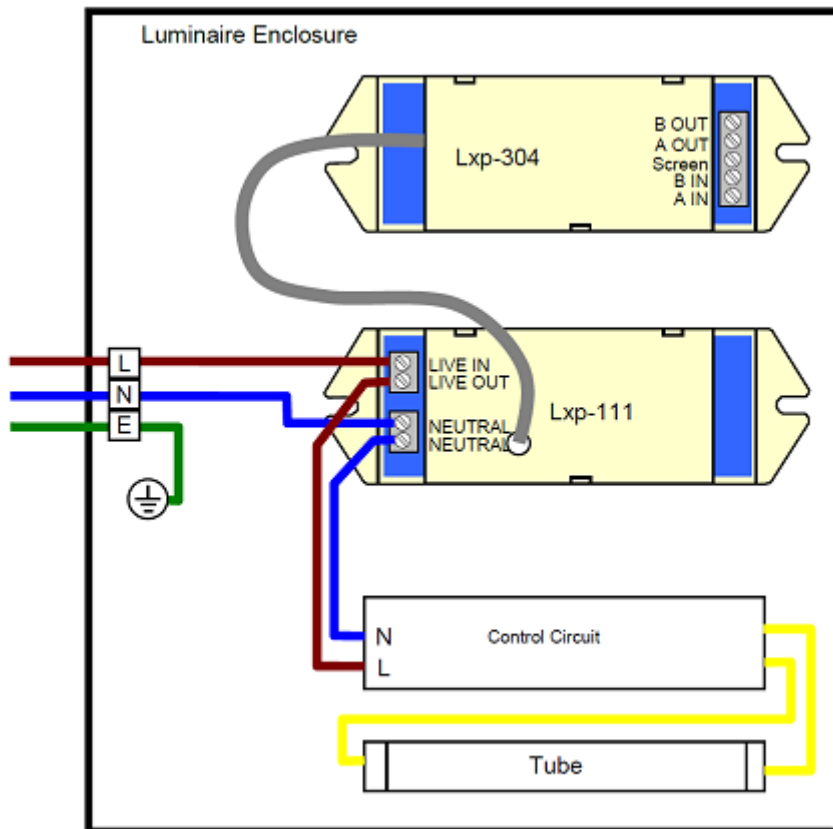
More Information

All pulse light modules communicate over a two-wire communication link. They all have two pairs of terminal chambers to allow loop in and loop out cabling. The Lxp-302 and Lxp-304 modules are supplied with the necessary grommets for mounting of the fibre optics, whilst it is also possible for them to be supplied with the necessary clips for attachment to fluorescent tubes (append -T5 for T5 diameter tubes and -T8 for T8 diameter tubes, for example, **Lxp-302-T8**).

Typical Lxp-302 Wiring Installation



Typical Lxp-111 Installation



[Check if this document is up to date](#) | [Give us feedback](#)

Advanced, The Bridges, Balliol Business Park, Newcastle, NE12 8EW, UK T: +44 (0)1670 707 111, E: enquiries@luxintelligent.com, W: www.luxintelligent.com

As our policy is one of constant product improvement the right is therefore reserved to modify product specifications without prior notice.