

EasySafe Escape Sign Luminaire

The EasySafe escape sign is a reliable, attractive product that offers excellent performance with long life and low energy benefits. Its versatile design allows it to be both wall and ceiling mounted. The legends are available with a choice of directions and formats (European or ISO). Although smaller than conventional fluorescent exit signs, the EasySafe exit luminaire still provides a useful 25-metre viewing distance, in both mains and emergency modes. The EasySafe luminaire fully supports the self-testing features of the Lux Intelligent test system and complies with all the relevant requirements of EN60598.2.22. Since it is totally powered via the LuxIntelligent panel, it uses the LuxIntelligent I/O peripheral to monitor local power distribution boards to allow the lights to react in the event of power outages.

Operation

The luminaire is available only as a maintained fitting with low illumination under normal conditions, making it useful in such applications as cinemas and theatres. In the event of a power outage, the illumination switches to maximum output, providing clear direction towards exits. The EasySafe luminaire uses state-of-the-art reflective screens to ensure the LEDs evenly illuminate the safety sign legend. Luminaires are supplied with integral maintained emergency control gear, which ensure that in the event of a power failure, the exit sign continues to operate with the same level of luminance for three hours from the internal NiMH battery.

Installation

The EasySafe luminaires are easily installed, base first, just like fire detection devices. The luminaire body simply clicks in place when required. A small screw can be used to fix the hanging angle, depending on wall or ceiling fixing. There is no local mains feed required, reducing both labour and material costs.



Features

- Fully compatible with LuxIntelligent test system
- Powered from the LuxIntelligent data loop at 32V DC
- No 230V connection required
- Long life and low energy performance LED technology
- Fully complies with all aspects of EN60598.2.22
- Viewing distance 25m
- Low maintained luminance level ideal for use in cinemas and theatres

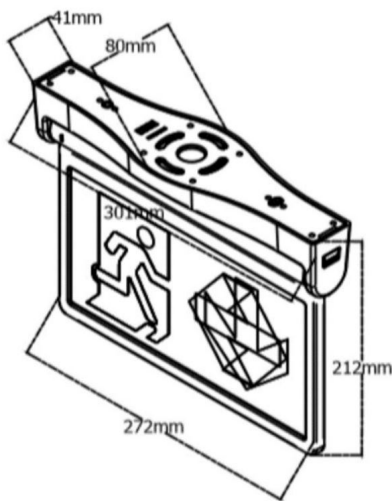
Specification

Supply voltage	Low voltage (32V)
Operating voltage	18-32V
Quantity	Up to 50 EasySafe type luminaires per loop
Light source	High output white LEDs
Cable termination	15/16 AWG, 1.3/2.0mm ²
Body	PC/ABS 2950
Colour	White body (RAL9003), grey base & bracket (Pantone 429)
Dimensions	301 (L) * 212 (H) * 80 (D) (mm)
Weight	0.738Kg (including battery pack)
Batteries	4 AAA NiMH 4.8V 600mAH pack
Viewing distance	25m

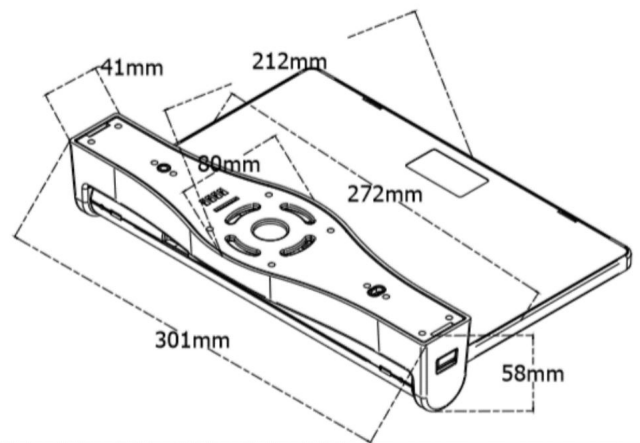
Order Codes and Options

ESXL/ECAU:	Standard 3 hour maintained escape sign complete with arrow up EC format legend, base and battery pack
ESXL/ECAD:	Standard 3 hour maintained escape sign complete with arrow down EC format legend, base and battery pack
ESXL/ECAL:	Standard 3 hour maintained escape sign complete with arrow left EC format legend, base and battery pack
ESXL/ECAR:	Standard 3 hour maintained escape sign complete with arrow right EC format legend, base and battery pack
ESXL/ISOAU:	Standard 3 hour maintained escape sign complete with arrow up ISO format legend, base and battery pack
ESXL/ISOAD:	Standard 3 hour maintained escape sign complete with arrow down ISO format legend, base and battery pack
ESXL/ISOAL:	Standard 3 hour maintained escape sign complete with arrow left ISO format legend, base and battery pack
ESXL/ISOAR:	Standard 3 hour maintained escape sign complete with arrow right ISO format legend, base and battery pack

Ceiling Mount Dimensions

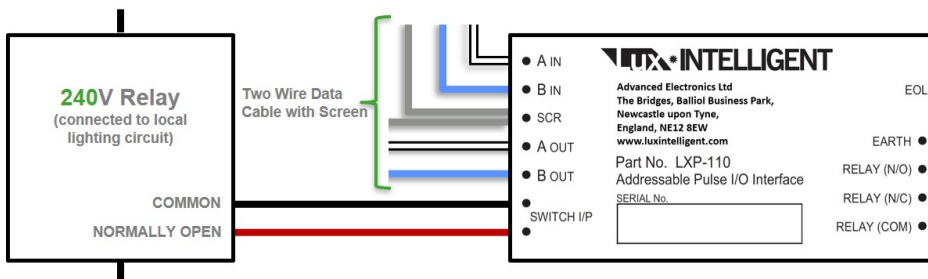


Wall Mount Dimensions



Local Lighting Circuit Monitoring (uses LXP-110)

The LuxIntelligent Input/Output Module (LXP-110) is a loop powered device that can be programmed to trigger specific groups of luminaires on the same loop. To trigger EasySafe luminaires when there is a loss of power to regular lighting, it is possible to connect to the local lighting circuit via a 240V relay (sold separately) and connecting the LXP-110 to the COMMON and NORMALLY OPEN terminals of the 240V Relay via the switch inputs as shown below:



Mounting Bracket/Base

The EasySafe escape sign simply 'press and clicks' onto the fast installing first fix base with power being drawn via the data cable terminal block on the base to charge the local back-up batteries:



[Check if this document is up to date](#) | [Give us feedback](#)

Advanced, The Bridges, Balliol Business Park, Newcastle, NE12 8EW, UK T: +44 (0)1670 707 111, E: enquiries@luxintelligent.com, W: www.luxintelligent.com

As our policy is one of constant product improvement the right is therefore reserved to modify product specifications without prior notice.