

Wall Mounting Static Inverter

The STAT/150VA is a mini static inverter suitable for a large number of mains lighting voltage equipment, including compact fluorescent lamps, small HID and LED based products. The units are supplied in robust enclosures, suitable for wall mounting. They are supplied with 5-year life valve regulated lead acid batteries.

The mini static units are supplied with maintained output circuits but can be used solely as standby supplies.

The standard version offers a pure sinewave output suitable for all electronic transformers, ballasts, switch-mode power supplies, etc. The/SI, modified sinewave model is suitable for tungsten loads, wire wound transformers and any standard 'resistive' loads.

The maximum rated loads are based on the full circuit VA of the equipment connected. For example, a 3W LED connected to typical mains driver will have a circuit load of approximately 7VA.

Operation

The static inverter can be used for either non-maintained or maintained operation of mains voltage equipment depending on the type and rating of the load. All units are supplied with long life valve regulated (sealed) lead acid batteries charged from a high-quality constant voltage battery charger which includes a battery low disconnect circuit to protect the batteries from deep discharge.

The mains voltage is created via a solid state step-up inverter circuit capable of producing both the pure sine wave and modified sine wave outputs. The units are designed to comply with the relevant sections of BS EN50172 and BS EN 60598.2.22.

Loads should be connected directly to maintained inverter units. If the static inverter is to be used to back up equipment already connected to a separate mains supply, then the two incoming supplies must be segregated by a change-over relay such as the **EL/RL/240 Hold off relay**.



Features

- Small reliable 150VA static inverter
- Fully compatible with Lux Intelligent testing and monitoring applications
- Suitable for use with a selection of lighting equipment
- Configurable as maintained or non-maintained

Specification

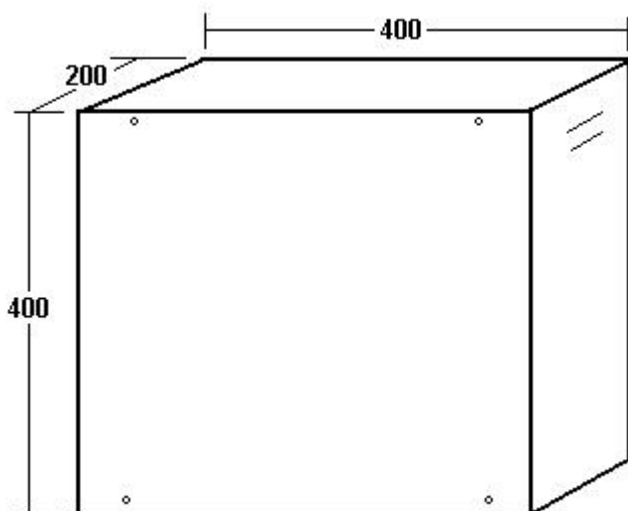
Supply Voltage	230V (207-253) @50Hz±5%
Power Consumption	60W Non-maintained (Max.) 150W Maintained (Max.)
DC Input Voltage	12V (10-15)
Low battery Alarm	10.5V ± 0.5V
Low battery shutdown	10.0V ± 0.5V
Output Voltage	230V at 50Hz (±1%)
Regulation	±10%

Rating	150VA/150W Max.
Load Power Factor	0.8 Inductive to 0.8 capacitive
Inverter Efficiency	90%
IP Rating	IP20
Temperature Range	10 to 30°C

Order Codes and Options

STAT/150VA:	Standard 150VA wall mounting static inverter
STAT/150VA/2:	Standard 150VA wall mounting static inverter with two output circuits
STAT/150VA/SI:	150VA Wall mounting static inverter with modified sine wave output

Dimensions



Typical Inverter Layout



[Check if this document is up to date](#) | [Give us feedback](#)

Advanced, The Bridges, Balliol Business Park, Newcastle, NE12 8EW, UK T: +44 (0)1670 707 111, E: enquiries@luxintelligent.com, W: www.luxintelligent.com

As our policy is one of constant product improvement the right is therefore reserved to modify product specifications without prior notice.