

Mor-Lite

The Mor-Lite luminaire provides a high-quality IP65 rated polycarbonate bulkhead, complete with a fresnel lens. The Mor-Lite is a high output product, providing 180 lumens in emergency as standard, creating opportunities to minimise the number of luminaires required in an installation. Mor-Lite luminaires can be surface mounted or semi-recessed and can be used, in conjunction with adhesive legends, to direct building occupants to their nearest means of exit.

The Mor-Lite is available in a variety of configurations including addressable slave versions for central battery operation, covering a wide range of operating voltages (24, 48 and 110Vdc). The luminaire is supplied as standard, complete with communication capability for use with the Lux Intelligent range of emergency lighting test systems.

Operation

The Mor-Lite is available as a mains only luminaire, or with non-maintained or switchable maintained modes of operation. Maintained versions can be used for standard switched mains lighting but will automatically provide emergency lighting in the event of a complete loss of normal mains supply. All emergency versions provide three-hour duration as standard from integral high-temperature nickel cadmium batteries and comes complete with an 8W T5 lamp and gear mounted on a removable gear tray. The Mor-Lite fully complies with the requirements of EN60598.2.22.

Installation

The luminaire comes complete with cable entries at both ends and in the back.



Features

- High 180-lumen output as standard
- Fully Lux Intelligent compatible
- Full size IP65 style luminaire
- Suitable to add directional legends
- Fully compliant with EN60598.2.22
- Robust IP65 luminaire

Specification

Supply Voltage	230Volt (220-240V) @ 50Hz
Light Source	8W T5
Supply Current	Maintained: 90mA Non-maintained: 40mA
Battery	3.6V 4Ahr NiCd
Recharge Period	24 Hours (14 hours 1 hour duration)
Cable Entry	20mm drilling points in ends and back
IP Rating	IP65 Ta25°C
Geartray	Hinged white painted steel
Dimensions (mm)	370 (L) x 140 (W) x 100 (H)

Order Codes and Options

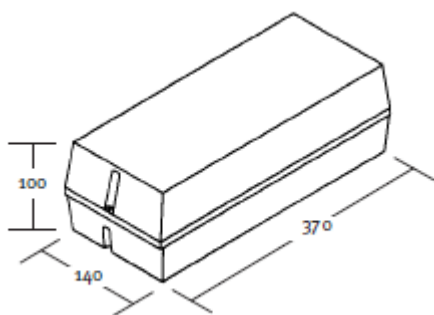
RL8/M3/P-H:	Mor-Lite 8W 3 hour maintained 3 cell luminaire
RL8/NM3/P-H:	Mor-Lite 8W 3 hour non-maintained 3 cell luminaire
RL11/NM3/P-H:	Mor-Lite 11W 3 hour non-maintained 3 cell luminaire
RL8/B:	Mor-Lite semi-recessable bezel
RL8/WG:	Mor-Lite wire guard
RL8/EX:	Mor-Lite blade type exit attachment
RL8/NM3/P-H/RL:	Mor-Lite 8W 3 hour non-maintained luminaire with relay
RL8/NM3/P-H/SOC:	Mor-Lite 8W 3 hour non-maintained luminaire complete with data and power sockets

More Information

Spacing Data

Mounting height Hm (m)	Trans. to wall	Trans. to trans.	Axial to trans.	Axial to axial	Axial to wall	
2.5	3.0	9.2	8.1	5.4	2.0	1 Lux min. at centre
4.0	2.4	8.7	4.6	4.3	1.4	
2.5	5.1	12.5	10.6	6.5	2.6	0.5 Lux min. (open)
4.0	4.4	12.6	10.8	6.9	2.2	

Dimensions



Deep Diffuser



[Check if this document is up to date](#) | [Give us feedback](#)

Advanced, The Bridges, Balliol Business Park, Newcastle, NE12 8EW, UK T: +44 (0)1670 707 111, E: enquiries@luxintelligent.com, W: www.luxintelligent.com

As our policy is one of constant product improvement the right is therefore reserved to modify product specifications without prior notice.