

Lumi-Lite

The Lumi-Lite luminaire provides a high-quality IP65 rated bulkhead, complete with an opal polycarbonate diffuser. The Lumi-Lite is a high output product, providing 180 Lumens in emergency as standard, creating opportunities to minimise the number of luminaires required in an installation. Lumi-Lite luminaires can be surface mounted or semi-recessed and can be used, in conjunction with adhesive legends, to direct building occupants to their nearest means of exit.

The Lumi-Lite is available in a variety of configurations including addressable slave versions for central battery operation, covering a wide range of operating voltages (24, 48 and 110Vdc). The luminaire is supplied as standard, complete with communication capability for use with the Lux Intelligent range of emergency lighting test systems.

Operation

The Lumi-Lite is available as a mains only luminaire, or with non-maintained or switchable maintained modes of operation. Maintained versions can be used for standard switched mains lighting but will automatically provide emergency lighting in the event of a complete loss of normal mains supply. All emergency versions provide three-hour duration as standard from integral high-temperature nickel cadmium batteries and come complete with an 8W T5 lamp and gear mounted on a removable gear tray. The Lumi-Lite fully complies with the requirements of EN60598.2.22.

Installation

The luminaire comes complete with cable entries at both ends and in the back.



Features

- Robust IP65 rated luminaire
- High 180-lumen output as standard
- Suitable for adding directional legends
- Fully compliant with EN60598.2.22
- Fully supports Lux Intelligent testing system
- Available in a wide selection of configurations

Specification

Supply Voltage	230Volt (220-240V) @ 50Hz
Supply Current	Maintained: 90mA Non-maintained:40mA
Light Source	8W T5
Battery	3.6V 4Ahr NiCd
Recharge Period	24 Hours (14 hours 1-hour duration)
Cable Entry	20mm drilling points in ends and back
IP Rating	IP65 @ Ta 25°C
Geartray	Hinged white painted steel
Dimensions (mm)	370 x 140 x 100 (L x W x H)

Order Codes and Options

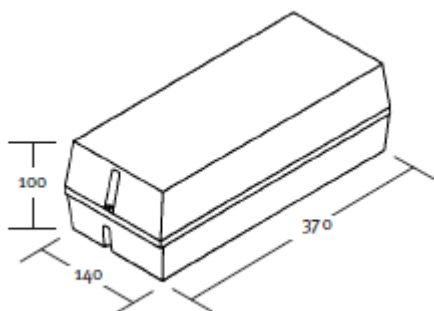
LL8/M3/P-H:	Lumi-Lite 8W maintained 3 hour addressable luminaire
LL8/NM3/P-H:	Lumi-Lite 8W non-maintained 3 hour addressable luminaire
LL8/B:	Lumi-Lite semi-recessible bezel
LL8/WG:	Lumi-Lite attachable wire guard
LEG-001:	Adhesive legend for use on Lumi-Lites
LL8/NM3/P-H/SOC:	Lumi-Lite 8W non-maintained 3 hour addressable luminaire with data and power sockets
LL8/NM3/P-H/RL:	Lumi-Lite 8W non-maintained 3 hour addressable luminaire with relay

More Information

Spacing Data

Mounting height Hm (m)	Trans. to wall	Trans. to trans.	Axial to trans.	Axial to axial	Axial to wall	
2.5	3.0	9.2	8.1	5.4	2.0	1 Lux min. at centre
4.0	2.4	8.7	4.6	4.3	1.4	
2.5	5.1	12.5	10.6	6.5	2.6	0.5 Lux min. (open)
4.0	4.4	12.6	10.8	6.9	2.2	

Dimensions



[Check if this document is up to date](#) | [Give us feedback](#)

Advanced, The Bridges, Balliol Business Park, Newcastle, NE12 8EW, UK T: +44 (0)1670 707 111, E: enquiries@luxintelligent.com, W: www.luxintelligent.com

As our policy is one of constant product improvement the right is therefore reserved to modify product specifications without prior notice.