

Wall Mounting Single Relay Output Module

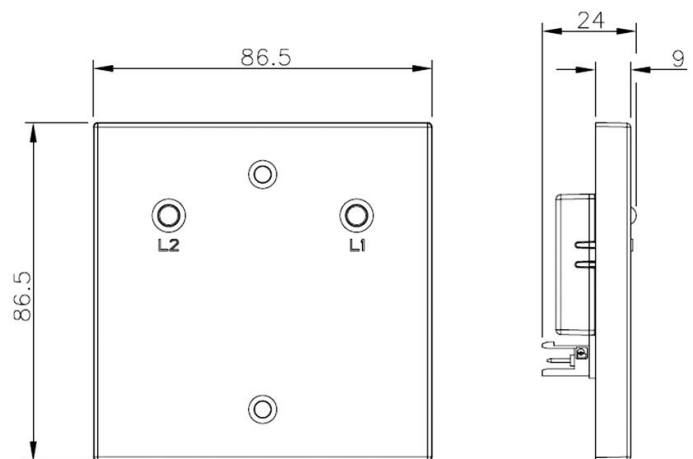
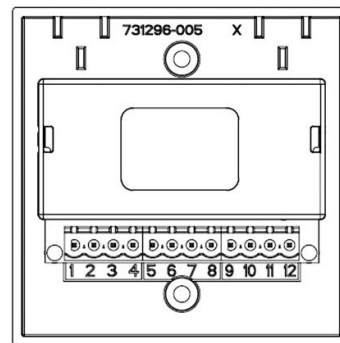
The single channel output modules are loop-powered, designed around a fully digital protocol and provide form C changeover contacts for activating equipment for DDA compliance such as vibrating pillows.

The output channel is a normally de-energised relay switched on by a command from the control panel.

The unit provides a fast and secure response, and incorporates a bidirectional short circuit isolator.

Connections are made using plug-in terminal blocks which will accept conductors up to 2.5mm².

The unit is supplied fixed to a plate which is suitable for wall mounting with a choice of standard 25 mm or deep 47 mm mounting boxes available.



Features

- Short circuit isolators in each device to the requirements of EN54-17
- Auto-addressing capability (by the control panel) or manually using a hand held programmer.
- Digital checking of double address
- Line quality information
- Bicolour (red/green) LED driven by the control panel

Standards and Approvals

- EN54-17:2005
- EN54-18:2005

Specification

Power supply	15 - 40 Vdc
Maximum alarm current consumption	6 mA
Relay switching	2 A / 30 Vdc
Operating temperature range	-30°C to +70°C
Humidity (non condensing)	85% RH
Dimensions H x W x D mm	87 x 87 x 32
Weight	200 g

IP rating

21C

Order Codes and Options

20-VMC120-ADV:

Wall Mounting Single Relay Output Module

[Check if this document is up to date](#) | [Give us feedback](#)

Advanced, The Bridges, Balliol Business Park, Newcastle, NE12 8EW, UK **T:** +44 (0)845 894 7000, **E:** enquiries@advancedco.com, **W:** www.advancedco.com

As our policy is one of constant product improvement the right is therefore reserved to modify product specifications without prior notice.