

## Standalone Isolator Module

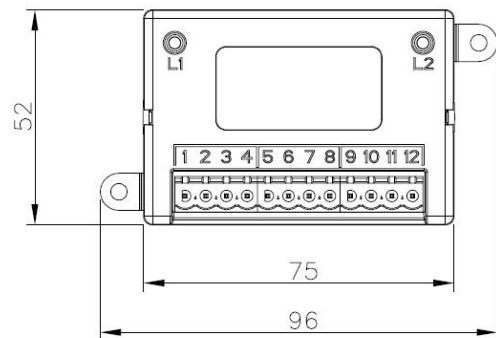
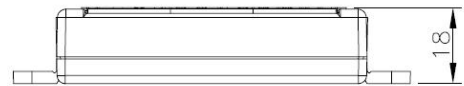
The standalone isolator module provides short circuit isolation for analogue-intelligent loops.

### Features

- Designed to operate with Axis EN control panels
- Provides short circuit isolation for analogue-intelligent loops
- Passive device, does not need to be addressed
- Isolates the adjacent loop section where the short circuit occurs
- Restores power to the isolated loop section when short circuit is removed
- Complies with EN 54-17

### Standards and Approvals

- EN54-17:2005



### Specifications

Loop Voltage Range	15 - 40 Vdc
Quiescent Current Consumption	90 $\mu$ A
Operating Temperature Range	-30°C to +70°C
Humidity (non condensing)	5% to 85% RH
Dimensions L x H x D (w/o brackets)	75 x 52 x 28 mm
Weight	40g
IP rating	21C

## Order Codes and Options

20-LVM100-ADV

Standalone Isolator Module

[Check if this document is up to date](#) | [Give us feedback](#)

Advanced, The Bridges, Balliol Business Park, Newcastle, NE12 8EW, UK T: +44 (0)845 894 7000, E: [enquiries@advancedco.com](mailto:enquiries@advancedco.com), W: [www.advancedco.com](http://www.advancedco.com)

As our policy is one of constant product improvement the right is therefore reserved to modify product specifications without prior notice.