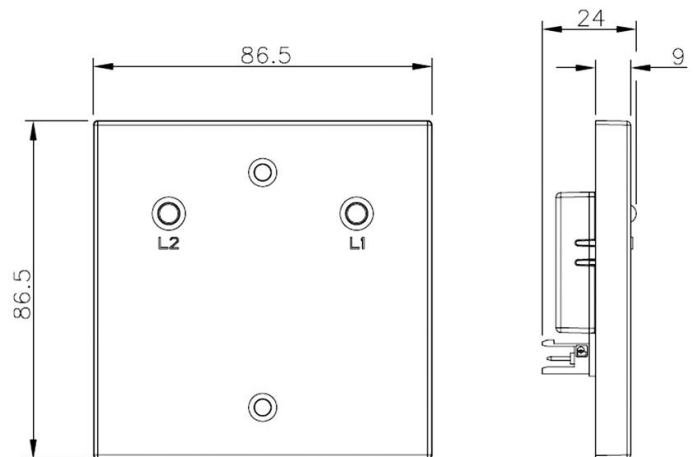
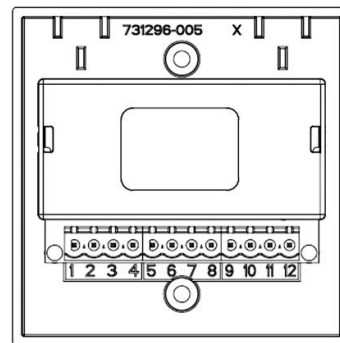


## Monitored Output Module with Built-in Isolator

The single output module is loop powered, designed around a fully digital protocol and provides control by activating equipment for DDA compliance such as vibrating pillows. The output channel is monitored and will detect open and short circuit conditions.

The unit provides a fast and secure response, and incorporates a bidirectional short circuit isolator. Connections are made using plug-in terminal blocks which will accept conductors up to 2.5mm<sup>2</sup>.

The unit is supplied fixed to a plate which is suitable for wall mounting. Standard 25mm or deep 47mm mounting boxes are available.



### Features

- Short circuit isolators in each device to the requirements of EN54- 17
- Auto addressing capability (by the control panel) or manually using a hand held programmer.
- Digital checking of double address
- Line quality information
- Bicolour (red green) LED driven by the control panel

### Standards and Approvals

- EN54-17:2005
- EN54-18:2005

### Specification

|                                   |                |
|-----------------------------------|----------------|
| Power Supply                      | 15 - 40 Vdc    |
| Maximum alarm Current Consumption | 6 mA           |
| Operating Temperature Range       | -30°C to +70°C |
| Relay Switching                   | 2 A / 30 Vdc   |
| Humidity (non condensing)         | 85% RH         |
| Dimensions H x W x D mm           | 87 x 87 x 32   |
| Weight                            | 200 g          |

## Order Codes and Options

20-VMC100-ADV:

Monitored output module with built-in isolator

[Check if this document is up to date](#) | [Give us feedback](#)

Advanced, The Bridges, Balliol Business Park, Newcastle, NE12 8EW, UK **T:** +44 (0)845 894 7000, **E:** [enquiries@advancedco.com](mailto:enquiries@advancedco.com), **W:** [www.advancedco.com](http://www.advancedco.com)

As our policy is one of constant product improvement the right is therefore reserved to modify product specifications without prior notice.