

Short Circuit Isolator Module

The standalone isolator module provides short circuit isolation for analogue-intelligent loops.

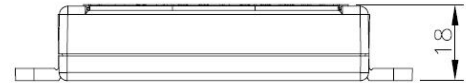
Features

- Designed to operate with EvacGo control panels
- Provides short circuit isolation for analogue-intelligent loops
- Passive device, does not need to be addressed
- Isolates the adjacent loop section where the short circuit occurs
- Restores power to the isolated loop section when short circuit is removed
- Designed to comply with the BS 8629 Code of Practice



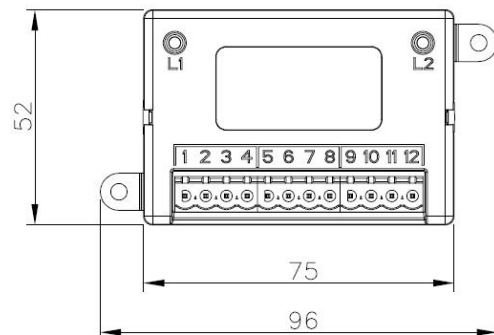
Standards and Approvals

- EN54-17:2005



Specifications

Loop Voltage Range	15 - 40 Vdc
Quiescent Current Consumption	90 μ A
Operating Temperature Range	-30°C to +70°C
Humidity (non condensing)	5% to 85% RH
Dimensions L x H x D (w/o brackets)	75 x 52 x 18 mm
Weight	40g
IP rating	21C



Order Codes and Options

LVMX100

Short Circuit Isolator Module

[Check if this document is up to date](#) | [Give us feedback](#)

Advanced, The Bridges, Balliol Business Park, Newcastle upon Tyne, NE12 8EW, UK T: +44 (0)345 894 7000, E: enquiries@advancedco.com, W: www.advancedco.com

As our policy is one of constant product improvement the right is therefore reserved to modify product specifications without prior notice.