

Device Programming Unit

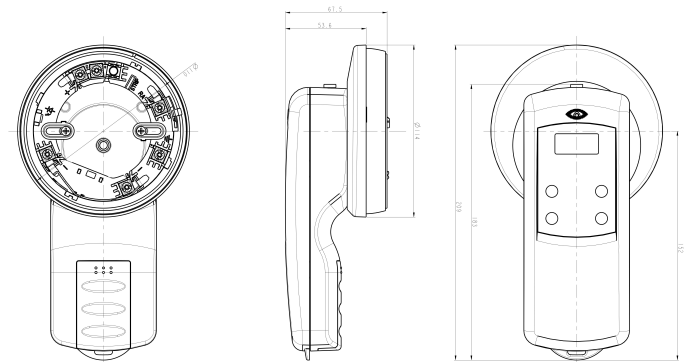
The handheld programming unit allows you to set all of the programmable variables from the device range including the loop address. It also enables you to read the analogue value from a device or change the heat detector setting from rate of rise to high temperature.

When used with the connection lead you can program/read in information from call points and sounders adding loop addresses or program one of the sounder's 32 operating modes.



Features

- Easy to use
- Clear device display
- Auto shut-off to save battery
- Displays the sensor analogue values
- Includes the programming cables for backward compatibility.



Specification

Power supply battery specifications	6LR61 type (9V)
Dimensions	88mm x 88mm x 61mm
Operating temperature range (no icing)	-10°C to +55°C
Maximum humidity (no condensing)	95% RH
Weight	200g

Order Codes and Options

Axis-PU: Programming Unit

[Check if this document is up to date](#) | [Give us feedback](#)

Advanced, The Bridges, Balliol Business Park, Newcastle upon Tyne, NE12 8EW, UK T: +44 (0)345 894 7000, E: enquiries@advancedco.com, W: www.advancedco.com

As our policy is one of constant product improvement the right is therefore reserved to modify product specifications without prior notice.