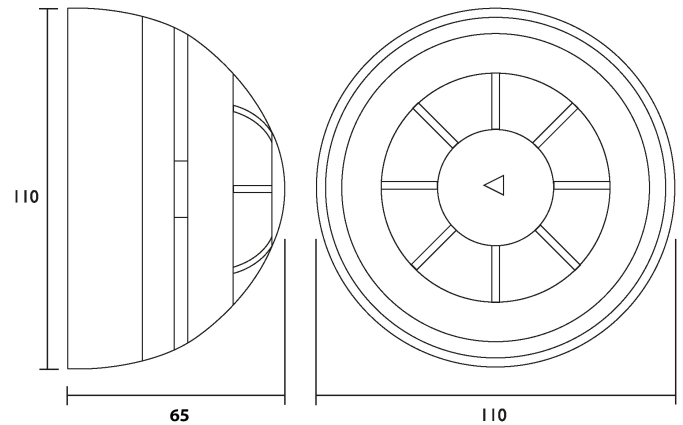


## Intrinsically Safe Wireless Optical Smoke Detector - obsolete

The Intrinsically Safe Wireless Optical Smoke Detector is a fully intelligent device which is compatible with our Wireless Translator and Expander Modules and has been approved for use in Category 1, 2 or 3 hazardous atmospheres. Its fully wireless capability means it requires no special wiring or barriers, making installation quick, safe and cost effective.

Our wireless detectors are third party approved to EN54 and utilise the latest cutting-edge technologies and features. The well-proven adaptive radio signal processing algorithms combined with the latest optical detection chamber design ensure the highest levels of life safety and system reliability.



### Features

- ATEX & IECEx Type Approved
- ATEX Code: Ex II 1G
- Bi-directional wireless communication
- Certified to EN54
- Up to 3 year battery life
- Uses standard low-cost lithium battery
- Quick and safe installation

### Standards and Approvals

- EN54-7: Smoke Detectors
- EN54-25: Components using radio links and system requirements

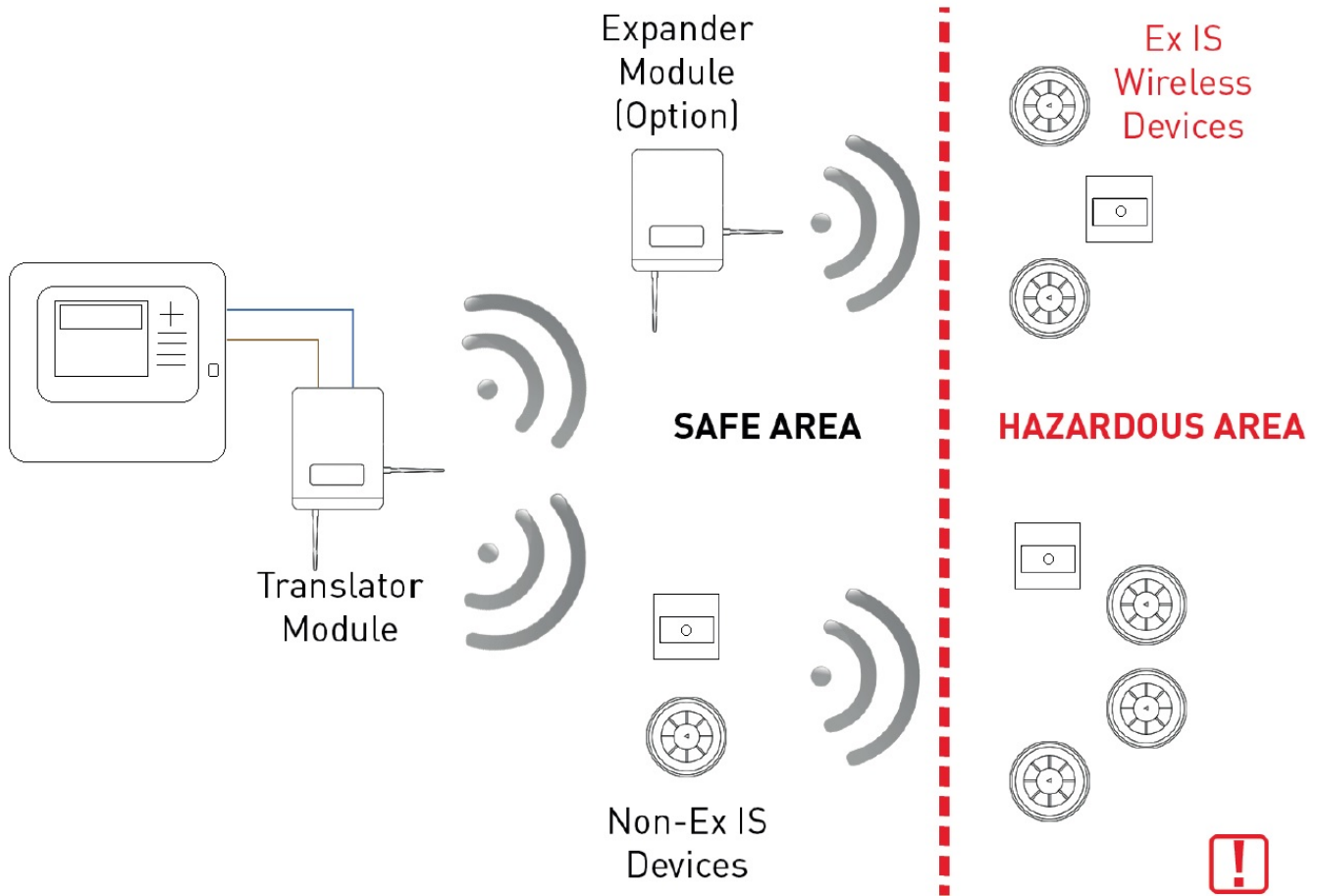
### Specification

Operating Frequency Range	868 - 870 MHz
Maximum Radiated Power	5dBm (3mW)
Operating Frequency Channels	7
Transmission Message Interval	60 seconds
Dimensions	110mm x 65mm
Primary Battery	CR123A (3V & 1.2Ah)
Secondary Battery	CR2032A (3V & 0.24Ah)
Operating Temperature (no icing)	-10° to +55°C
Maximum Humidity (non condensing)	95% RH
Weight	190g
IP Rating	IP40

## Order Codes and Options

20-SG100-IS

Intrinsically Safe Wireless Optical Smoke Detector



[Check if this document is up to date](#) | [Give us feedback](#)

Advanced, The Bridges, Balliol Business Park, Newcastle upon Tyne, NE12 8EW, UK T: +44 (0)345 894 7000, E: [enquiries@advancedco.com](mailto:enquiries@advancedco.com),  
W: [www.advancedco.com](http://www.advancedco.com)

As our policy is one of constant product improvement the right is therefore reserved to modify product specifications without prior notice.