

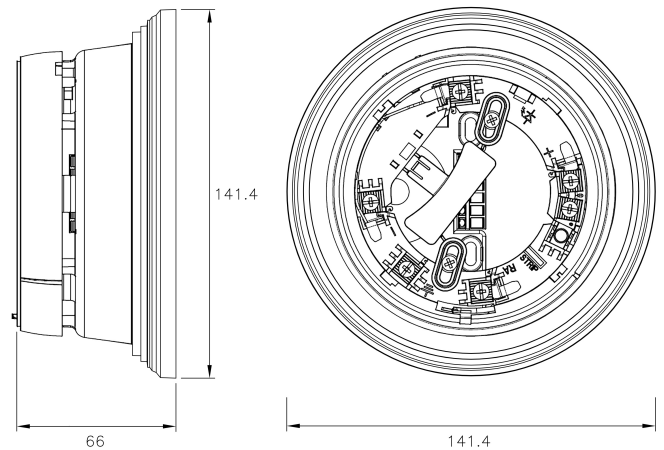
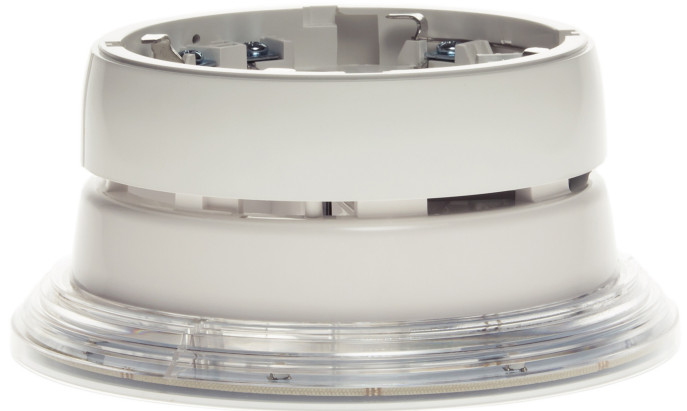
Slave Sounder Beacon Base - obsolete

The slave sounder beacon base is a low profile base sounder with combined 360° visual indicator which is designed around a fully digital protocol. When used in conjunction with an associated intelligent detector the unit can be controlled via the cause and effect programming of a compatible control panel.

This output device has 32 selectable (by dip switch) tones and emits an acoustic signal when used in conjunction with an associated intelligent detector and activated in the event of a fire condition. The visual output reinforces the audible warning and has a fixed pattern and intensity. As a slave sounder, this device does not need any addressing.

The unit has integral DIP switches, allowing independent adjustment of the pre-set tone and volume settings. The unit's integral detector base has easy access for loop cabling and allows for the connection of both sounder and associated detector via a single set of cable terminations.

The device has three fixed volume levels ranging from 91 dB to a maximum of 96 dB @ 1m, making the device suitable for almost any EN markets.



Features

- 32 programmable tones
- Tone and volume set via DIP switch
- Adjustable volume output
- Easy central cable entry
- Includes device identification tab
- Low profile design
- Synchronisation of flashes
- 91 dB to 96 dB @ 1m

Specification

Loop voltage range	15V to 32 Vdc (typically 24 Vdc)*
Standby current	70 μ A @ 24 Vdc
Maximum humidity (non condensing)	95% RH
Operating temperature range (no icing)	-10°C to +55°C
Dimensions (Width x Depth)	141.1 x 66 mm
Weight	220 g
Max current (activated - dual tone, beacon on)	5-12 mA @ 24 Vdc**
32 tone range	440 - 2900 Hz

Max volume @ 1m

94 dB

* Minimum 18 Vdc for operation of LED. ** Dependent on tone/volume settings

Order Codes and Options

Axis-SVAMB

Slave Sounder Beacon Base

[Check if this document is up to date](#) | [Give us feedback](#)

Advanced, The Bridges, Balliol Business Park, Newcastle upon Tyne, NE12 8EW, UK T: +44 (0)345 894 7000, E: enquiries@advancedco.com,
W: www.advancedco.com

As our policy is one of constant product improvement the right is therefore reserved to modify product specifications without prior notice.