

Slave Sounder Base - obsolete

The slave sounder base is a low profile base sounder which is designed around a fully digital protocol. When used in conjunction with an associated intelligent detector the unit can be controlled via the cause and effect programming of an Axis EN compatible control panel.

This output device has 32 selectable (by dip switch) tones and as a slave sounder does not need any addressing.

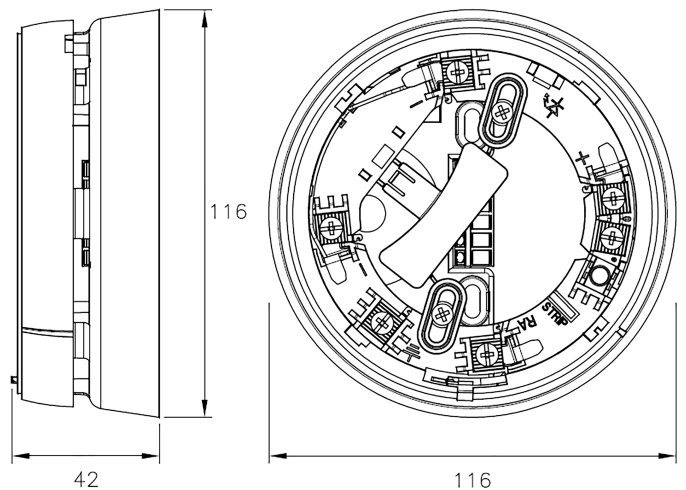
The unit has integral DIP switches, allowing independent adjustment of both tone and volume settings. The unit's integral detector base has easy access for loop cabling and allows for the connection of both sounder and associated detector via a single set of cable terminations.

The device has three fixed volume levels ranging from 89 dB to a maximum of 94 dB.



Features

- 32 selectable tones
- Low current, high output local sounder
- Tone and volume set via DIP switch
- Adjustable volume output
- Includes device identification tab
- Easy central cable entry
- Low profile design
- 89 dB to 94 dB @ 1m



Specification

Loop voltage range	15 Vdc to 32 Vdc (typically 24 Vdc)*
Standby current	70 μ A @ 1 metre
Maximum humidity (non condensing)	95% RH
Operating temperature range (no icing)	-10°C to +55°C
Dimensions (Width x Depth)	116 x 42 mm
Weight	188 g
Maximum number of loop addresses	240
32 tone range	440 - 2900 Hz
Max volume @ 1m	94 dB

* Minimum 18 Vdc for operation of LED ** Dependent on tone/volume settings

Order Codes and Options

Axis-SAMB

Slave Sounder Base

[Check if this document is up to date](#) | [Give us feedback](#)

Advanced, The Bridges, Balliol Business Park, Newcastle upon Tyne, NE12 8EW, UK **T:** +44 (0)345 894 7000, **E:** enquiries@advancedco.com,
W: www.advancedco.com

As our policy is one of constant product improvement the right is therefore reserved to modify product specifications without prior notice.