

Legacy Wireless Door Holder

The Wireless Door Holder is compatible with all of the Axis Translator and Expander Modules, enabling it to be easily integrated into a new or existing wireless system, linked to any wired system or even used as a standalone system.

Its fully wireless and battery powered capability means it requires no wiring or power supply, making installation quick, easy and cost effective. The Axis range of wireless devices are third party approved and utilise the latest cutting edge technologies and features. The well-proven adaptive radio signal processing algorithms combined with the latest in magnet technology ensure the highest levels life safety and system reliability.



Features

- Easy and fast installation
- Local door release button
- Utilises standard low cost lithium battery technology
- Bi-directional wireless communication
- Fail safe monitoring to BS 7273 - 4:2015 category A, B and C
- High holding force
- Door closed monitoring option

Standards and approvals

- EN 1155: Electrically Powered Hold Open Devices
- EN 7273-4:2015: Actuation of Release Mechanisms for Doors

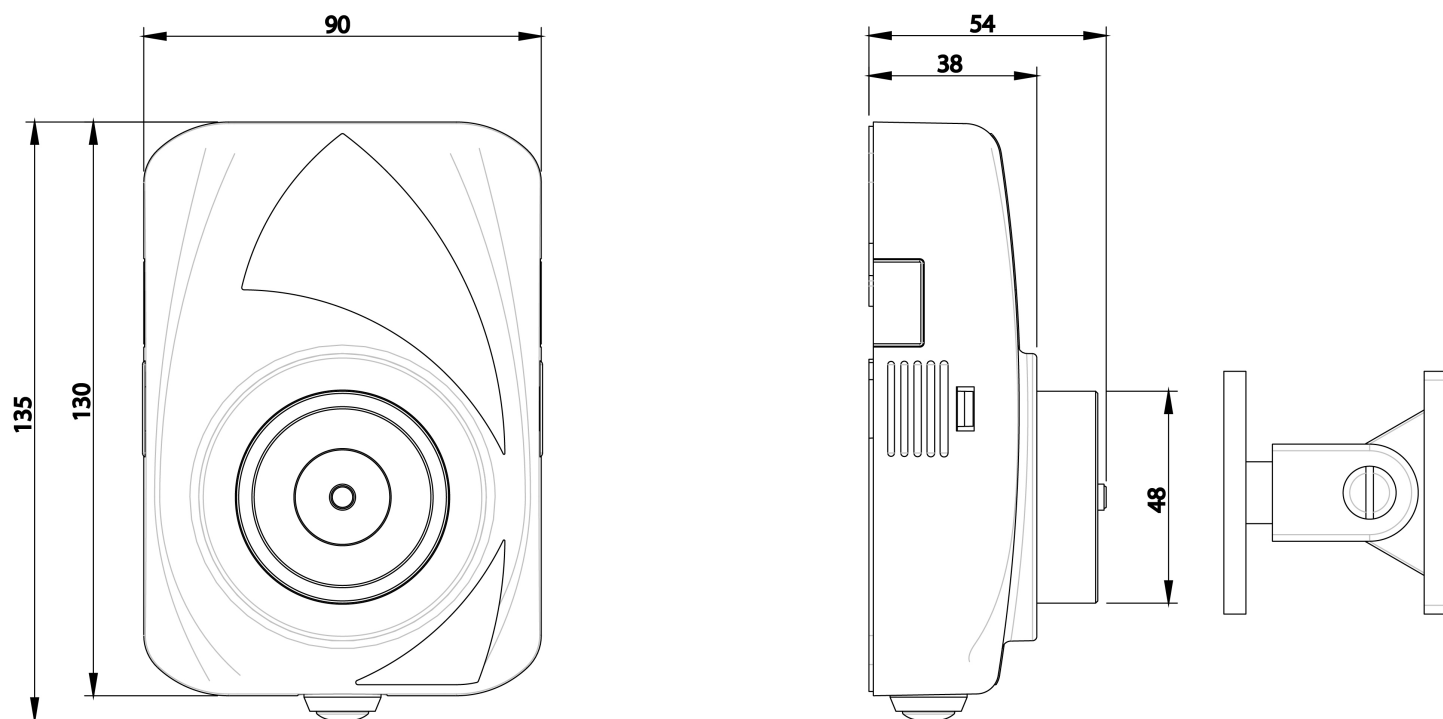
Specification

Operating frequency range	868 MHz - 870 MHz
Maximum radiated power	14 dBm (25 mW)
Operating frequency channels	7
Communications range	Up to 200 m (in open space)
Batteries	2 x CR123
Dimensions	90mm x 135mm x 54mm
Weight	740g
Temperature range (no icing)	-10 °C to +55 °C
Maximum humidity	95%RH
IP rating	30
Holding force	200N

Order Codes and Options

Axis-RDH

Wireless Door Holder



[Check if this document is up to date](#) | [Give us feedback](#)

Advanced, The Bridges, Balliol Business Park, Newcastle upon Tyne, NE12 8EW, UK T: +44 (0)345 894 7000, E: enquiries@advancedco.com,
W: www.advancedco.com

As our policy is one of constant product improvement the right is therefore reserved to modify product specifications without prior notice.