

Axis EN Wireless Output Module

The Axis EN Wireless Output Module has been designed to allow easy control of a variety of third party equipment including access control doors, ventilation plant and fire extinguishing systems.

The unit is powered entirely from its internal battery supply and is fitted as standard with both a set of change over relay contacts and a 12/24V dc output. The output is capable of supplying power for operating low current third party equipment directly from the internal batteries.



Features

- Bi directional wireless communication
- Output circuits are fully supervised for fault conditions (using EOL resistors)
- Change over relay and 12/24V output functionality
- On site programmable
- 22 pairs of field channels
- Long communication range
- Dual channel redundancy
- 5-year expected battery life (application dependent)
- Uses dual low cost lithium battery
- Easy scan & link programming option
- Third party approval to EN54-18 and EN54-25

Standards and approvals

- EN54-18: Input / Output Devices
- EN54-25: Components using radio links and system requirements

Specification

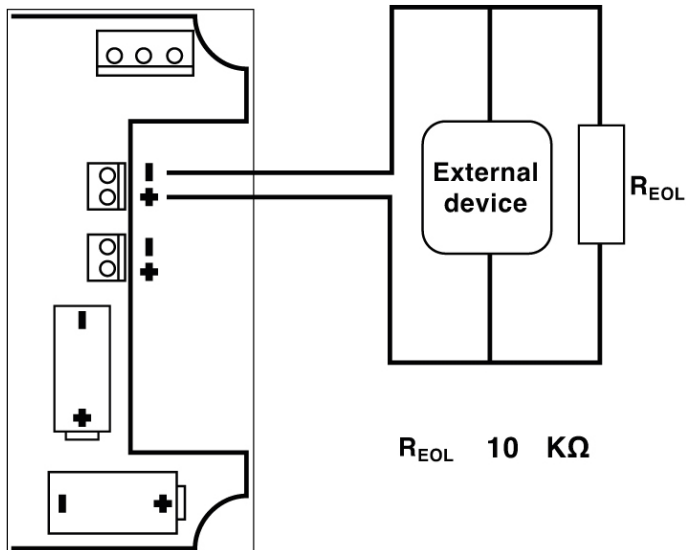
Operating frequency range	868-870 MHz
Max radiated power	14dBm (25mW)
IP rating	65
Weight (without batteries)	233g
Primary and secondary batteries	CR123A (3V and 1.2 Ah)
Dimensions	136mm x 96mm x 57mm
Relay specifications	2A @ 30Vdc
Operating temperature	-10°C to +55°C
Max humidity (non condensing)	95% RH
Maximum current available	100mA @ 12 Vdc / 50mA @ 24Vdc
EOL supervision resistor	10K

Order Codes and Options

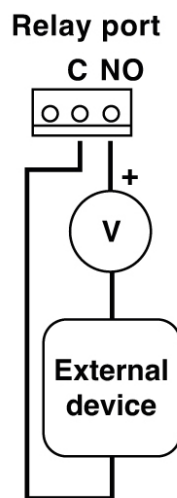
Axis-TMO: Wireless Single Channel Battery Powered Input Module

Connections and configurations

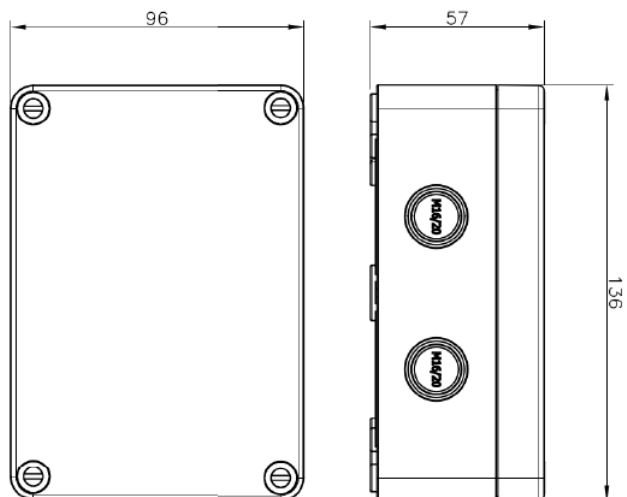
Wiring example for the 12Vdc/24Vdc output.



Wiring example for the relay switch output.



Technical information



[Check if this document is up to date](#) | [Give us feedback](#)

Advanced, The Bridges, Balliol Business Park, Newcastle upon Tyne, NE12 8EW, UK T: +44 (0)345 894 7000, E: enquiries@advancedco.com,
W: www.advancedco.com

As our policy is one of constant product improvement the right is therefore reserved to modify product specifications without prior notice.