

## Legacy Wireless Smoke Detector

The Axis Wireless Dual Optical Smoke Detector is the latest in wireless smoke detector technology. It is a fully intelligent device and compatible with all Axis wireless translator and expander modules.

The detector is designed for open area protection and utilises dual-path optical smoke detection technologies and algorithms for improved performance, whilst maintaining the high levels of unwanted alarm rejection. Utilising well-proven adaptive radio signal processing algorithms ensures the highest levels of life safety and system reliability are achieved. An in-built magnet test allows easy activation to verify correct functionality and response.

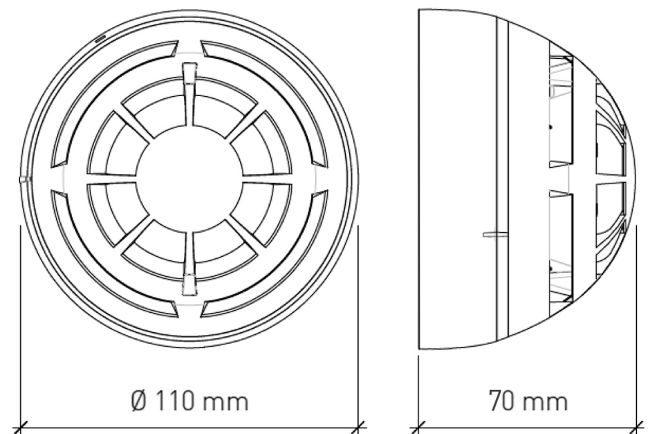


### Features

- Advanced dual path optical chamber design
- Internal algorithm processing optimises performance
- Utilises standard 3 Vdc lithium battery technology
- Bi-directional communication protocol between all wireless devices
- Device identification tab
- Dual angle scattering analysis
- Fast test feature for engineer testing
- Approved to EN54-7 and EN54-25

### Standards and Approvals

- EN54-7:2000 +A1:2002 +A2:2006
- EN54-25:2008
- Approved by BRE/LPCB and certified by the UAE Civil Defence



### Specification

Communication range	Up to 200 m (in open space)
Operating frequency range	868 MHz
Operating frequency channels	7
Dimensions (H x W)	110 x 70 mm
Operating temperature range (no icing)	-10°C to +55°C *
Maximum tolerated humidity (non condensing)	95% RH
IP Rating	40

\* performance may vary at extremes of range

## Order Codes and Options

Axis ROP

Wireless Smoke Detector

[Check if this document is up to date](#) | [Give us feedback](#)

Advanced, The Bridges, Balliol Business Park, Newcastle upon Tyne, NE12 8EW, UK **T:** +44 (0)345 894 7000, **E:** [enquiries@advancedco.com](mailto:enquiries@advancedco.com),  
**W:** [www.advancedco.com](http://www.advancedco.com)

As our policy is one of constant product improvement the right is therefore reserved to modify product specifications without prior notice.