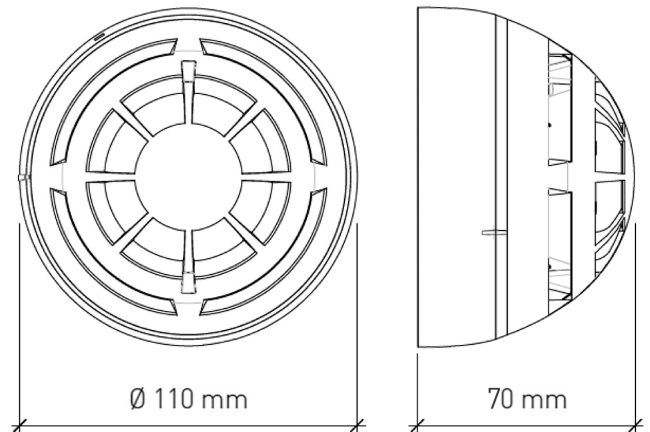


Legacy Wireless Multi Criteria Detector

The Axis Wireless MultiCriteria Detector is the latest in wireless multi-criteria detector technology. It is a fully intelligent device and compatible with all Axis wireless translator and expander modules.

The detector is designed for open area protection and combines both dual-path smoke and heat detection technologies for improved performance, whilst maintaining high levels of unwanted alarm rejection. Utilising well-proven adaptive radio signal processing algorithms ensures that the highest levels of life safety and system reliability are achieved. An in-built magnet test allows easy activation to verify correct functionality and response.



Features

- Advanced dual-path optical chamber design
- Internal algorithm processing optimises performance
- Utilises standard 3 Vdc lithium battery technology
- Multiple smoke and heat sensitivity settings
- Bi-directional communication protocol between all wireless devices
- Device identification tab
- Twin alarm LEDs for 360° visibility
- Approved to EN54-7, EN54-5 and EN54-25

Standards and Approvals

- EN54-5:2000 +A1:2002
- EN54-7:2000 +A1:2002 +A2:2006
- EN54-25:2008
- Approved by BRE/LPCB and certified by the UAE Civil Defence

Specification

Operating frequency range	868 MHz
Maximum radiated power	14dBm (25mW)
Operating frequency channels	Multiple
Choice of sensitivity settings	3 smoke/2 heat
Dimensions (H x W)	110 x 70 mm
Weight	190 g
Operating temperature range (no icing)	-10°C to +55°C *
Maximum tolerated humidity (non condensing)	95% RH

IP Rating	40
Magnet test	Yes

* performance may vary at extremes of range

Order Codes and Options

Axis ROH	Wireless Multicriteria Detector
----------	---------------------------------

[Check if this document is up to date](#) | [Give us feedback](#)

Advanced, The Bridges, Balliol Business Park, Newcastle upon Tyne, NE12 8EW, UK T: +44 (0)345 894 7000, E: enquiries@advancedco.com,
W: www.advancedco.com

As our policy is one of constant product improvement the right is therefore reserved to modify product specifications without prior notice.