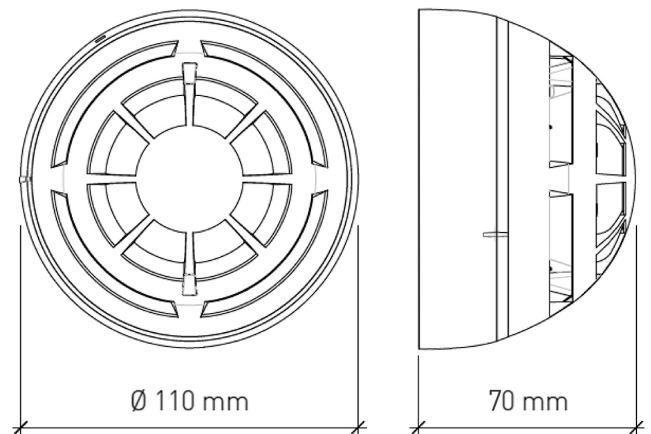


Legacy Wireless Heat Detector

The Axis Wireless Heat Detector is the latest in wireless heat detector technology. It is a fully intelligent device and compatible with all Axis wireless translator and expander modules.

The detector is designed for open area protection giving the best possible warning of a fire condition in locations where smoke detection technology is not suitable. The well-proven adaptive radio signal processing algorithms ensure that the highest levels of life safety and system reliability are achieved. An in-built magnet test allows easy activation to verify correct functionality and response. A unique range of Decorline finishes is available.



Features

- Twin alarm LEDs for 350 degree visibility
- Internal algorithm processing optimises performance
- Utilises standard 3 Vdc lithium battery technology
- Bi-directional communication protocol between all wireless devices
- Device identification tab
- Multiple sensitivity warnings
- Approved to EN54-5 and EN54-25

Standards and Approvals

- EN54-5:2000 +A1:2002
- EN54-25:2008
- Approved by BRE/LPCB and certified by the UAE Civil Defence

Specification

Operating frequency range	868 MHz
Operating frequency channels	Multiple
Maximum radiated power	14dBm (25mW)
Class A1R	58° max
Class BS high temp	78° max
Dimensions (H x W)	110 x 70 mm
Weight	190 g
Operating temperature range (no icing)	-10°C to +55°C *
Maximum tolerated humidity (non condensing)	95% RH
IP Rating	40

* performance may vary at extremes of range

Order Codes and Options

Axis RHT

Wireless Smoke Detector

[Check if this document is up to date](#) | [Give us feedback](#)

Advanced, The Bridges, Balliol Business Park, Newcastle upon Tyne, NE12 8EW, UK **T:** +44 (0)345 894 7000, **E:** enquiries@advancedco.com,
W: www.advancedco.com

As our policy is one of constant product improvement the right is therefore reserved to modify product specifications without prior notice.