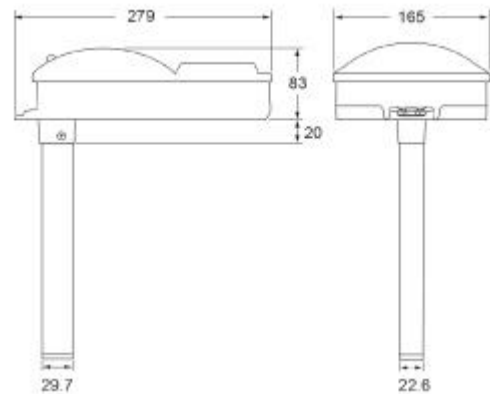


## Duct Detector Housing for Axis EN Smoke Detectors

The Axis Duct Detector Housing (Axis-DDH) is designed to provide capability to mount AXIS smoke detectors. When installed correctly, it will allow monitoring of airflow in heating and ventilation ducts for fire combustion products.

The Axis DDH must be fitted with an Axis smoke detector linked to an Axis EN control panel and a suitable sampling tube. Axis-DDH has been designed to allow optimum airflow through the detector and it is recommended for installations in ducts with low airflow and an air speed between 0.5 m/s and 20 m/s.



### Features

- Easy to install
- Single tube air sampling system
- Simple servicing and maintenance
- Installer friendly cabling
- Sampling tube with innovative design
- Easy mounting of sampling tube
- Test hole positioned on the cover
- Compatible detectors - Axis-OPX and OP (smoke detector), Axis-OHX and OH (smoke and heat detector)
- Sampling tube supplied in three lengths, 0.6m, 1.5m and 2.8m
- If the ventilation duct is wider than 0.6m the sampling tube should penetrate the whole duct.

### Specification

Airflow Speeds	0.5 m/s to 20 m/s
Dimensions	279 mm X 165 mm X 83 mm (plus 20mm pipe entry)
Standby Current	500uA @ 24 Vdc
Weight	660g (without the detector installed)
Operating Temperature	-10 °C to +55 °C
Max Humidity (non condensing)	95% RH

### Order Codes and Options

Axis-DDH	Duct Detector Housing
DDH-STO.6	Air Sampling Tube 0.6m
DDH-ST1.5	Air Sampling Tube 1.5m
DDH-ST2.8	Air Sampling Tube 2.8m
20-DDH-BR-ADV	Mounting bracket (for insulated/circular ducts)

[Check if this document is up to date](#) | [Give us feedback](#)

Advanced, The Bridges, Balliol Business Park, Newcastle upon Tyne, NE12 8EW, UK **T:** +44 (0)345 894 7000, **E:** [enquiries@advancedco.com](mailto:enquiries@advancedco.com),  
**W:** [www.advancedco.com](http://www.advancedco.com)

As our policy is one of constant product improvement the right is therefore reserved to modify product specifications without prior notice.