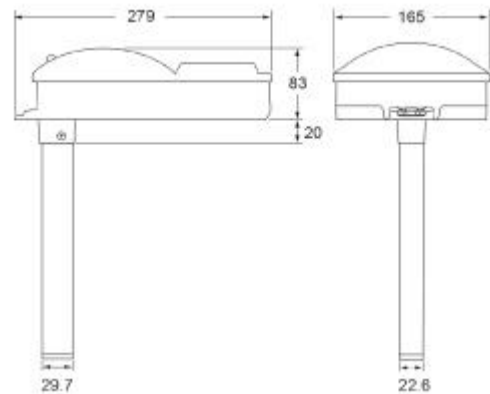


AxisEN Duct Detector

The AxisEN Duct Detector (Axis-DDH/OPX) is designed for monitoring of airflow in heating and ventilation ducts for fire combustion products.

The Duct Detector is fitted with an smoke detector and must be linked to an AxisEN control panel and a suitable sampling tube. Axis-DDH/OPX has been designed to allow optimum airflow through the detector and it is recommended for installations in ducts with low airflow and an air speed between 0.5 m/s and 20 m/s.



Features

- Easy to install
- Single tube air sampling system
- Simple servicing and maintenance
- Installer friendly cabling
- Sampling tube with innovative design
- Easy mounting of sampling tube
- Test hole positioned on the cover
- Pre-installed detector - Axis-OPX
- Sampling tube supplied in three lengths, 0.6m, 1.5m and 2.8m
- If the ventilation duct is wider than 0.6m the sampling tube should penetrate the whole duct.

Specification

| | |
|-------------------------------|--|
| Airflow Speeds | 0.5 m/s to 20 m/s |
| Dimensions | 279 mm X 165 mm X 83 mm (plus 20mm pipe entry) |
| Standby Current | 500uA @ 24 Vdc |
| Weight | 660g (without the detector installed) |
| Operating Temperature | -10 °C to +55 °C |
| Max Humidity (non condensing) | 95% RH |

Order Codes and Options

| | |
|---------------|---|
| Axis-DDH/OPX | Duct Smoke Detector |
| DDH-STO.6 | Air Sampling Tube 0.6m |
| DDH-ST1.5 | Air Sampling Tube 1.5m |
| DDH-ST2.8 | Air Sampling Tube 2.8m |
| 20-DDH-BR-ADV | Mounting bracket (for insulated/circular ducts) |

[Check if this document is up to date](#) | [Give us feedback](#)

Advanced, The Bridges, Balliol Business Park, Newcastle upon Tyne, NE12 8EW, UK **T:** +44 (0)345 894 7000, **E:** enquiries@advancedco.com,
W: www.advancedco.com

As our policy is one of constant product improvement the right is therefore reserved to modify product specifications without prior notice.