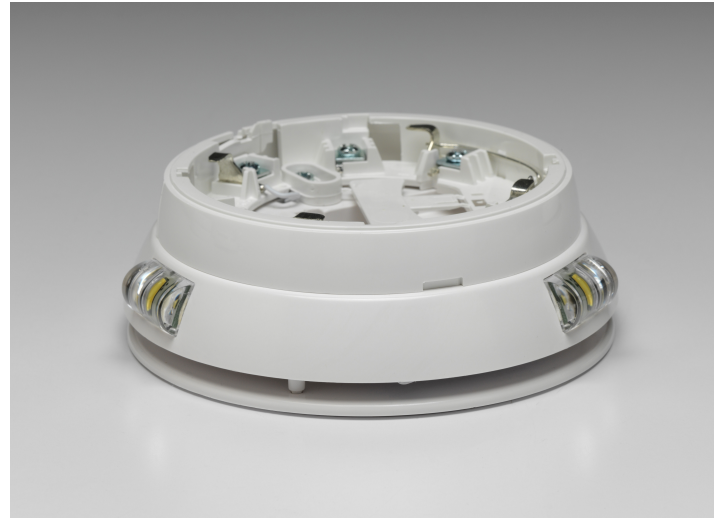


Slave Sounder Beacon Base

The Slave Sounder Beacon Base is a low profile base sounder with a combined 360° visual indicator. When used in conjunction with an associated intelligent detector, the unit can be controlled via the cause and effect programming of a compatible control panel utilising the Axis EN digital protocol.

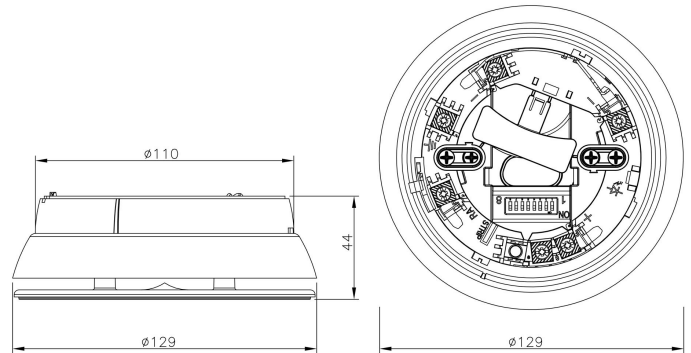
The unit has integral DIP switches, allowing the independent adjustment of both sounder volume and tone settings. The unit's integral detector base has easy access for loop cabling and allows for the connection of both the sounder and associated detector via a single set of cable terminations.

This sounder beacon base is compatible with Axis-OP, Axis-OH, Axis-HT, Axis-OPX, Axis-OHX and Axis-HTX detectors.



Features

- 32 programmable tones
- Low current, high output sounder
- Tone and volume set via DIP switch
- 360 degree visibility of VID when activated
- A djustable volume output
- Includes device identification tab
- Easy central cable entry



Standards and Approvals

- EN54-3:2001 +A1:2002 +A2:2006
- EN54-23:2010
- Approved by BRE/LPCB and certified by the UAE Civil Defence

Specification

Voltage range	From 15 to 32 Vdc (typically 24 Vdc)
Standby current	70 μ A @ 24 Vdc
Current consumption (activated - dual tone, beacon on)	5 - 12mA @24 Vdc
Max load current @ 40 Vdc applied, high volume selected	13 mA
Max load current @ 24 Vdc applied, high volume selected	21 mA
Max load current @ 16 Vdc applied, high volume selected	32 mA
Acoustic output frequency range	From 440 Hz - 2900 Hz
Maximum acoustic intensity	94 dB(A)
VAD's signal frequency	0.5 Hz

VAD typical flash coverage set to high power	C 3 - 14.2 and O 4.6 - 14.2
VAD typical flash coverage set to low power	C 3 - 9.2
VAD's signal colour	White
Operating temperature range	-10°C to +55°C
IP	21C
Dimensions (W x D)	141.4 mm x 66 mm
Weight	220 g
Maximum humidity (non condensing)	95% RH
Maximum number of loop addresses	240

Order Codes and Options

Axis-SV2AMB	Slave Sounder Beacon Base
-------------	---------------------------

[Check if this document is up to date](#) | [Give us feedback](#)

Advanced, The Bridges, Balliol Business Park, Newcastle upon Tyne, NE12 8EW, UK T: +44 (0)345 894 7000, E: enquiries@advancedco.com,
W: www.advancedco.com

As our policy is one of constant product improvement the right is therefore reserved to modify product specifications without prior notice.