

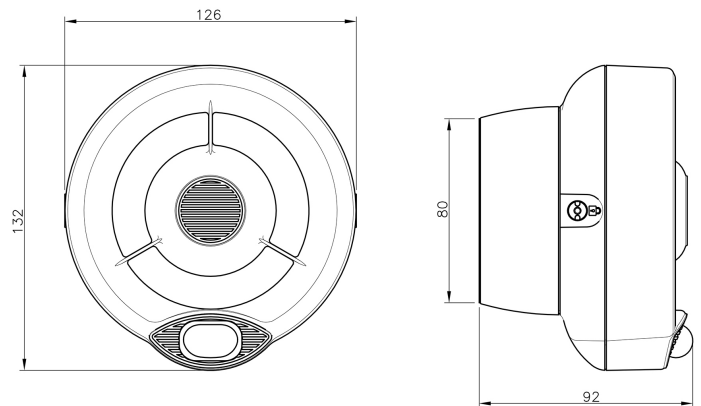
## Conventional Wall Sounder Visual Alarm Device

The Axis conventional wall sounder visual alarm device (VAD) can be used as either a standalone conventional device or as a loop powered addressable unit with the addition of an intelligent addressable wall sounder module (Axis-WSM). All devices are weatherproof to IP65.

The unit is equipped with 4 levels of volume adjustment, a high output LED beacon and 32 recognised tones which can be set via the dip switch at the sounder.

### Features

- Flexible modular design
- Approved for outdoor use to EN54-3 (Type B) and EN54-23
- 32 tone settings
- Two stage alarm capability
- Weatherproof to IP65
- Easy to install
- High sound output capability
- Silent sounders setting for beacon-only use
- 4 adjustable volume settings



### Standards and Approvals

- EN54:3:2001 +A1:2002 +A2:2006
- EN54-23:2010
- Approved by BRE/LPCB and certified by the UAE Civil Defence

### Specification

Power supply	15 to 40 Vdc
Activated current load (high vol)	11-25 mA at 24 Vdc
Operating temperature range	-25°C to +70°C
Max humidity (non condensing)	95% RH
Acoustic frequency range	400-2900 Hz
Maximum acoustic output	100dBA @ 1m
Visual alarm device frequency	0.5 Hz or 1 Hz
Dimensions (H x W x D)	132 x 126 x 92 mm
Weight (inc back box)	290 g
IP Rating	65
EN54-23 classification	W-2.5-7

## Order Codes and Options

AXIS-CWSV	Conventional Wall Sounder Visual Alarm Device
AXIS-WSM	Wall Sounder Module

[Check if this document is up to date](#) | [Give us feedback](#)

Advanced, The Bridges, Balliol Business Park, Newcastle upon Tyne, NE12 8EW, UK **T:** +44 (0)345 894 7000, **E:** [enquiries@advancedco.com](mailto:enquiries@advancedco.com),  
**W:** [www.advancedco.com](http://www.advancedco.com)

As our policy is one of constant product improvement the right is therefore reserved to modify product specifications without prior notice.