

Conventional Wall Sounder

The Axis conventional wall sounder can be used either as a standalone conventional device or as a loop powered addressable unit with the addition of an intelligent addressable wall sounder module (Axis-WSM). All devices are weatherproof to IP65.

The unit is equipped with 4 levels of volume adjustment and 32 recognised tones which can be set via the dip switch at the sounder.

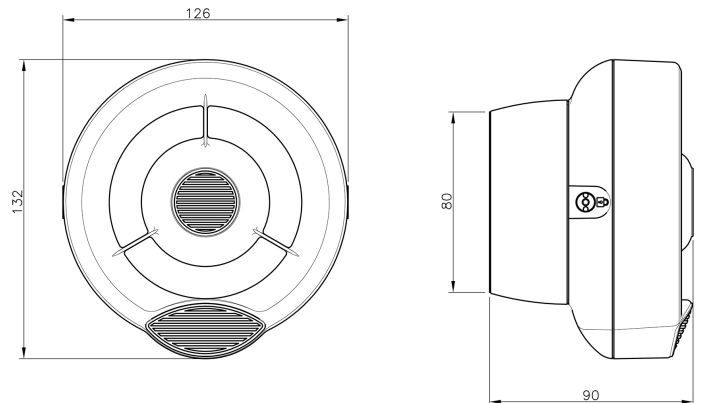


Features

- Flexible modular design
- Approved for outdoor use to EN54-3 (Type B)
- 32 tone settings
- Two stage alarm capability
- Weatherproof to IP65
- Easy to install
- High sound output capability
- 4 adjustable volume settings
- Robust with high reliability

Standards and Approvals

- EN54-3:2001 +A1:2002 +A2:2006
- Approved by BRE/LPCB and certified by the UAE Civil Defence



Specification

| | |
|-----------------------------------|-------------------|
| Power supply | 15 to 40 Vdc |
| Activated current load (high vol) | 5-8 mA at 24 Vdc |
| Operating temperature range | -25°C to +70°C |
| Max humidity (non condensing) | 95% RH |
| Acoustic frequency range | 400-2900 Hz |
| Maximum acoustic output | 100dBA @ 1m |
| Dimensions (H x W x D) | 132 x 126 x 90 mm |
| Weight (inc back box) | 290 g |
| IP Rating | 65 |

Order Codes and Options

| | |
|----------|---------------------------|
| AXIS-CWS | Conventional Wall Sounder |
| AXIS-WSM | Wall Sounder Module |

[Check if this document is up to date](#) | [Give us feedback](#)

Advanced, The Bridges, Balliol Business Park, Newcastle upon Tyne, NE12 8EW, UK T: +44 (0)345 894 7000, E: enquiries@advancedco.com,
W: www.advancedco.com

As our policy is one of constant product improvement the right is therefore reserved to modify product specifications without prior notice.