

Intelligent Relay Output Module

Advanced Intelligent Relay Module is an application specific addressable module for use with the Axis AX Series Intelligent Fire Alarm Control Panels.

The module is SLC (signaling line circuit) loop powered, eliminating the need for additional field wiring and external power supplies.

The Intelligent Relay Output Module provides two isolated Form "C" relay contacts for controlling a variety of auxiliary control functions, such as elevators, HVAC, door holders, dampers, control equipment, etc.

Compatible with the Axis AX Series Dynamix I/O relationship programming, the module's Form "C" outputs can be assigned to any input or output relationship, output group, timing function, gated function, etc. enhancing project specific control operations.

Relay ratings of each Form "C" contact is 24 VDC @ 2 Amp (resistive) or 30 VAC @ .5 Amp (resistive).



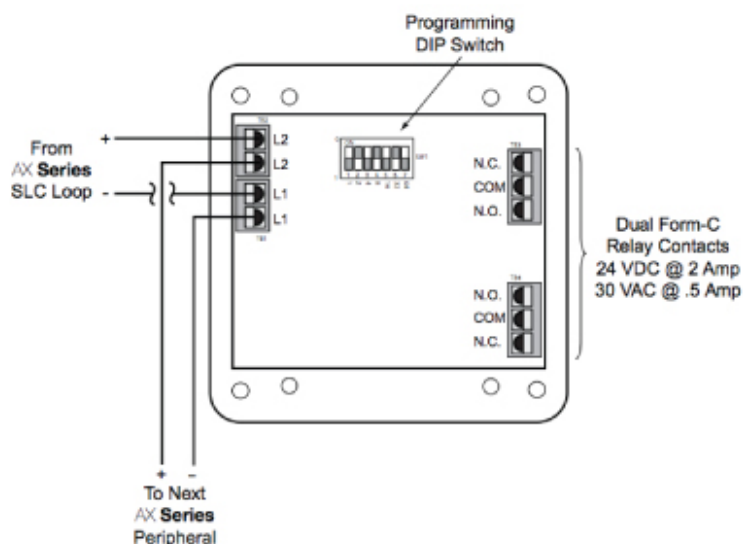
Features

- Compact Size
- Two Isolated Form "C" Relay Contacts
- Flexible Device Type Programming
- Loop Powered Directly from SLC Loop
- Cost-Effective & Trouble-Free Installation
- 7 - Position Addressable DIP Switch
- Integral Polling Status LED
- 4" or 2-Gang Electrical Box Mounting
- Durable Construction

Listings and Approvals

- ETL ANSI/UL 864 Listed: 101564744NYM-001
- UL file: UOXX.S7003 / ML file: S2446
- CSFM Approved:7300-1713:0112

Wiring Diagram



Specification

AX Series SLC Loop

Voltage	17-28 VDC
Modulation Voltage	5-9 VDC (Peek to Peek)
Supervisory Current	0.85 mA
Surge Current	2.5 mA
Alarm Current	3.5 mA (LED On) (Max.)
Line Impedance	50 Ω (Max.)
Relay Output Rating	
DC Voltage	24 VDC @ 2 Amp (Resistive)
AC Voltage	30 VAC @ .5 Amp (Resistive)
Wiring	Screw In-Out Terminals
Mounting	4" Square or 2-Gang Electrical Box
Dimensions (Diameter & Height)	4 1/2"W x 4 1/2"H x 1"D
Weight	2.8 oz
Operating Temperature	32 ° -120 °F (0 ° -49 °C)
Humidity	10-93% (Non-Condensing)

Order Codes and Options

55000-863AEL	Intelligent Relay Output Module
--------------	---------------------------------

[Check if this document is up to date](#) | [Give us feedback](#)

Advanced, The Bridges, Balliol Business Park, Newcastle upon Tyne, NE12 8EW, UK T: +44 (0)345 894 7000, E: enquiries@advancedco.com, W: www.advancedco.com

As our policy is one of constant product improvement the right is therefore reserved to modify product specifications without prior notice.