

Audio Zone Splitter Module

The AV-ZS audio zone splitter module is an optional module for use with the Advanced AV-AMP-80 audio amplifier. The module is designed to take one or both AVAMP-80 audio notification appliance circuits and split them into additional audio notification appliance circuits. Each audio notification appliance circuit of the AV-ZS is capable of supporting 20 Watts and can be wired Class A or B. If splitting both audio notification appliance circuits of the AVAMP-80 amplifier, each circuit will be split into two audio notification appliance circuits. If splitting only one audio notification appliance circuit of the AV-AMP-80 amplifier, the circuit will be split into four audio notification appliance circuits. The AV-ZS audio zone splitter module mounts above the associated AV-AMP-80 audio amplifier.

The AV-ZS audio notification appliance circuits are activated by switching a common “COM” AV-ZS voltage through an activation relay contact, back to a specific input zone selection on the AV-ZS audio zone splitter module. Also, activating all AV-ZS audio notification appliance circuits is possible by activating the “All” input selection. The audio notification appliance circuit activation must be wired within 20 feet of the activation relay contact. When the AV-ZS audio zone splitter module is utilized with an Advanced PBUS (RS485) AV-AMP-80 amplifier, the “All” input selection must be constantly activated allowing tracking of the two onboard AV-AMP-80 amplifiers for audio control via the AX-CTL base card PBUS (RS485).

The AV-ZS audio zone splitter module reports associated audio notification appliance circuit status (open circuit, short circuit, and grounds) via the associated AV-AMP-80 audio notification appliance circuit. Also, a fail-safe trouble relay contact is available which opens on any splitter audio notification appliance circuit trouble condition or with the loss of 24 VDC input power; this trouble relay contact can be monitored for individual AV-ZS trouble indication. When the AV-ZS audio zone splitter module is utilized with the Advanced AV-VBM audio panel, an optional AV-ZS-CM audio zone splitter switch module is available for manually controlling the four AV-ZS audio notification appliance circuits.



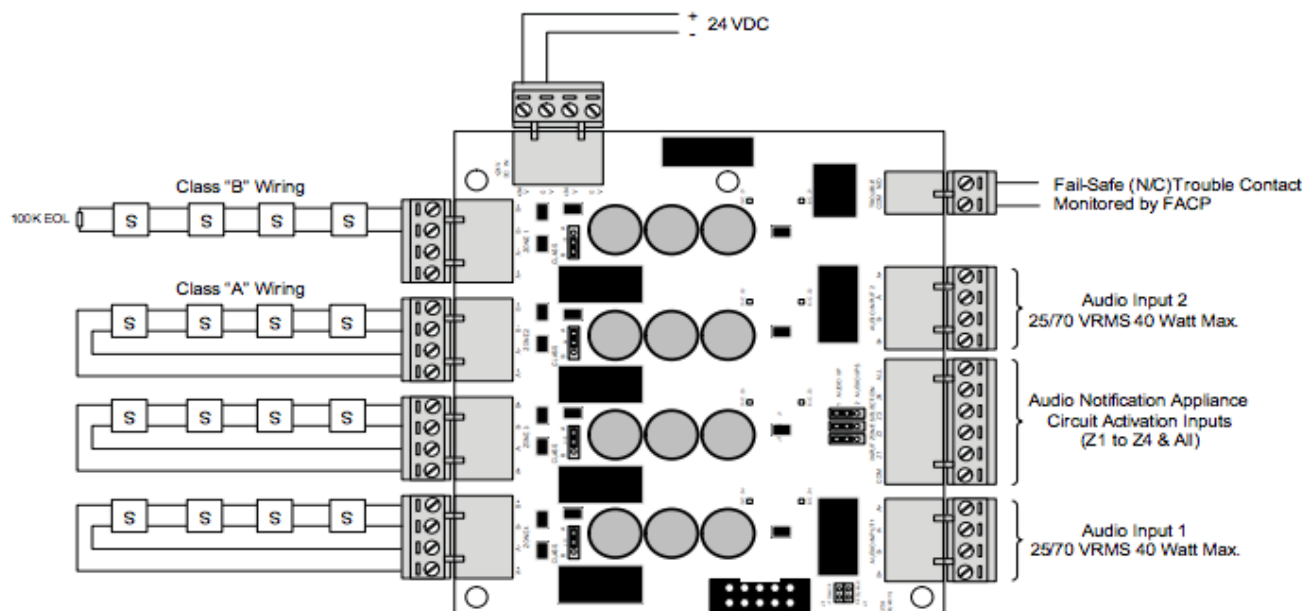
Features

- Four Supervised Class A or B Audio NAC Circuits
- Converts Two Audio NAC Circuits to Four
- Converts One Audio NAC Circuit to Four
- Supports 25 or 70 VRMS
- Mounts Above Advanced AV-AMP-80 Amplifier
- Supervised Circuits for Opens, Shorts and Ground Faults
- Individual Audio Notification Appliance Circuit Activation
- Dedicated All Audio NAC Circuit Activation
- Fail-Safe Trouble Relay Contact
- Individual Open / Short Circuit Status LEDs
- Optional AV-ZS-CM Switch Module for AV-VBM Usage

Listings and Approvals

- ETL ANSI/UL 864 Listed: 101564744NYM-001, 100027836NYM-001c

Wiring Diagram



Specification

| | |
|----------------------|--|
| Input Voltage (DC) | 24 VDC Nominal |
| Current | |
| Quiescent | .100A |
| Alarm | .075A (All Zone Circuits Active) |
| Zone Circuits | Four (4) Independent Audio Notification Appliance Circuits |
| Wiring | Class A or B (Jumper selection per circuit) |
| Circuit EOL | 100K (End of line resistor) |
| Maximum Wattage | 20W (Per circuit) |
| Audio Inputs | 40 Watts @ 25 or 70 Vrms |
| Audio In Jumpers | 1 to 4, 1 Audio Input to 4 Audio Outputs |
| J1, J6 & J7 | 2 to 2, 2 Audio Inputs to 2 Audio Outputs (Per input) |
| PCB Status LEDs | 8, 2 per Circuit (Open Circuit and Short Circuit) |
| Trouble Contact | Fail-Safe (COMM / N/O [Closed when normal]) |
| Input Zone Selection | Individual and All Circuit Activation Inputs via Common Switch Voltage |
| 14-Pin Cable Port | Available for Optional AV-ZS-CM Zone Splitter Switch Module |

Order Codes and Options

| | |
|----------|-------------------------------------|
| AV-ZS | Audio Splitter Module |
| AV-ZS-CM | AV-VBM, Zone Splitter Switch Module |

[Check if this document is up to date](#) | [Give us feedback](#)

Advanced, The Bridges, Balliol Business Park, Newcastle upon Tyne, NE12 8EW, UK T: +44 (0)345 894 7000, E: enquiries@advancedco.com,
W: www.advancedco.com

As our policy is one of constant product improvement the right is therefore reserved to modify product specifications without prior notice.