

## Firefighter Phone System2 Handsets

The AV-TEL2-P and AV-TEL2-PT Firefighter Phone System2 portable handsets from Advanced are lightweight, durable and made of high impact plastic.

The handsets come with an RCA ¼" plug and are designed to be used with the Advanced AV-CJACK conventional firefighter phone jack.

The AV-TEL2-P uses an Advanced Standard firefighter phone, while the AV-TEL2-PT uses a Push-to-Talk firefighter phone. The Push-to-Talk phone option allows more than five phones to be connected (active) on the Firefighter Phone System2 telephone riser without audio degradation. Each Push-to-Talk phone only adds resistance to the telephone riser circuit when the user presses the Push-to-Talk button and communicates on the telephone riser.

### Features

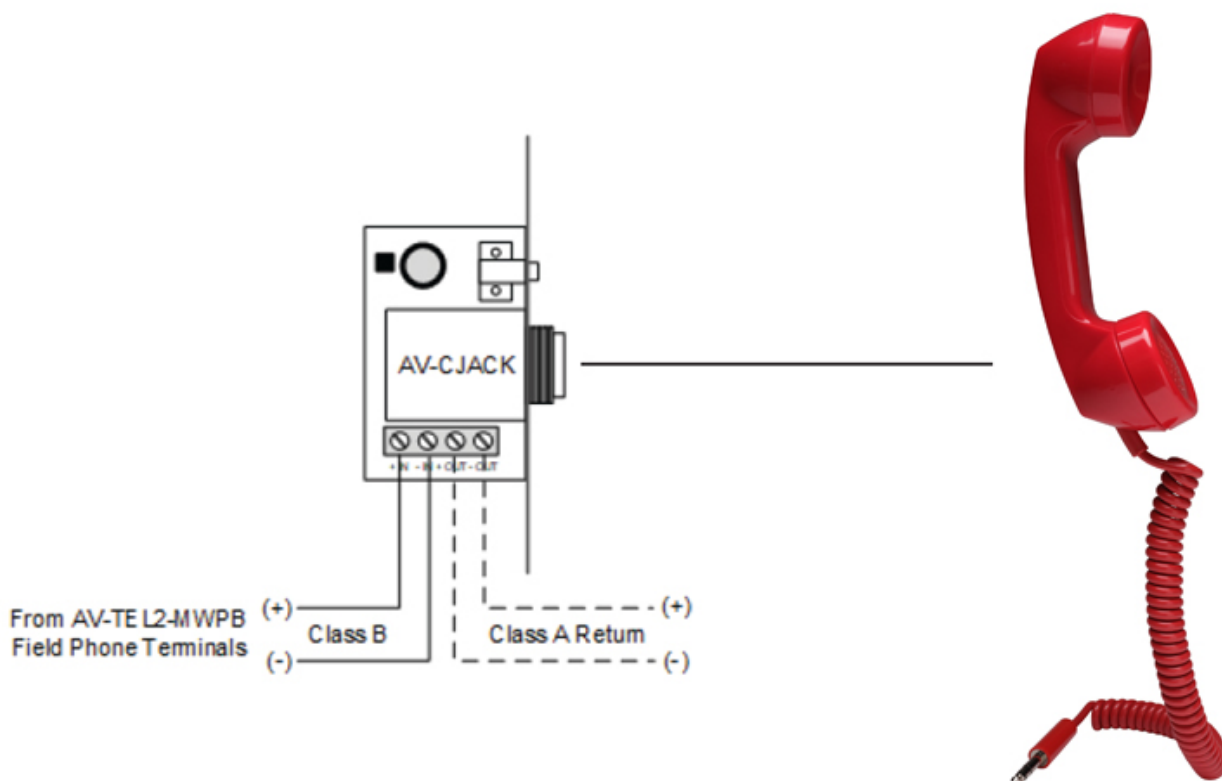
- Made from high impact plastic
- Available in Standard or Push-to-Talk Handset
- Built-In Noise Filter
- Lightweight



### Listings and Approvals

- Certified to UL864 10<sup>th</sup> Edition – File No. S35979
- NYCFD COA: Pending
- CFSM approved: Pending

## AV-TEL2-P or AV-TEL2-PT Interface to AV-CJACK



Wiring	Class A or Class B (6.8K EOL Resistor)
Voltage	24VDC
Current	
Quiescent	0 mA
Active	22 mA

### Order Codes and Options

AV-TEL2-P	Firefighter Phone System2 Standard Portable Firefighter Handset (red) with RCA 1/4 " plug
AV-TEL2-PT	Firefighter Phone System2 Push-to-Talk Portable Firefighter Handset (red) with RCA 1/4 " plug
AV-CJACK	Conventional Firefighter Phone Jack w/active LED

[Check if this document is up to date](#) | [Give us feedback](#)

Advanced, The Bridges, Balliol Business Park, Newcastle upon Tyne, NE12 8EW, UK T: +44 (0)345 894 7000, E: [enquiries@advancedco.com](mailto:enquiries@advancedco.com),  
W: [www.advancedco.com](http://www.advancedco.com)

As our policy is one of constant product improvement the right is therefore reserved to modify product specifications without prior notice.