

## Gentex GB Series Fire Alarm Bells

The GB Series provide durable and dependable operation required for life safety alarm systems.

Alarm bells are low current, high decibel notification appliances for use in fire and burglary systems or other signalling applications. The GB Series is available in 24 VDC with 6" or 10" housing for indoor applications.

The GB Series is ANSI/UL 464 listed and the units are warranted for 3 years from the date of purchase.

### GB 24 VDC Fire Alarm Bell

Model number	Voltage	Housing size	current draw (mA)	dba at 10ft
28-GB6-24	24 VDC	6"	100 mA	95 dBA
28-GB10-24	24 VDC	10"	100 mA	96 dBA

### Notes

- Indoor operating temperature 32° to 120°F (0° to 49°C)



### Features

- Available in 24 VDC
- Available in 6" or 10" housing
- Four wire 24 VDC operation
- High dbA output
- Mounts to a standard 4" square electrical box
- 18 AWG wire leads
- Available in red metal finish

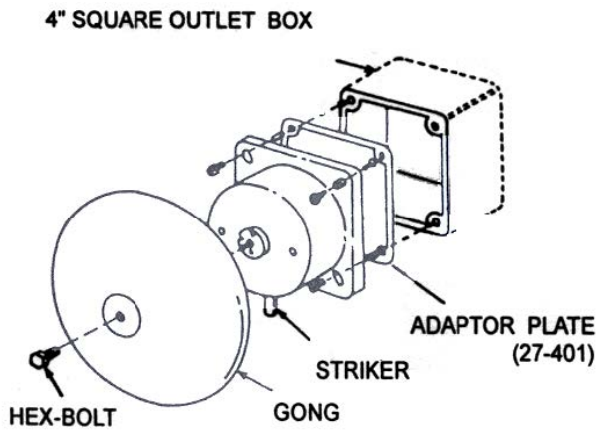
### Listings and Approvals

- ANSI/UL 464 Listed
- CSFM: 7135-0569:139
- MEA #285-91-E
- NFPA 72
- Quality Management System is certified to: ISO 9001:2008

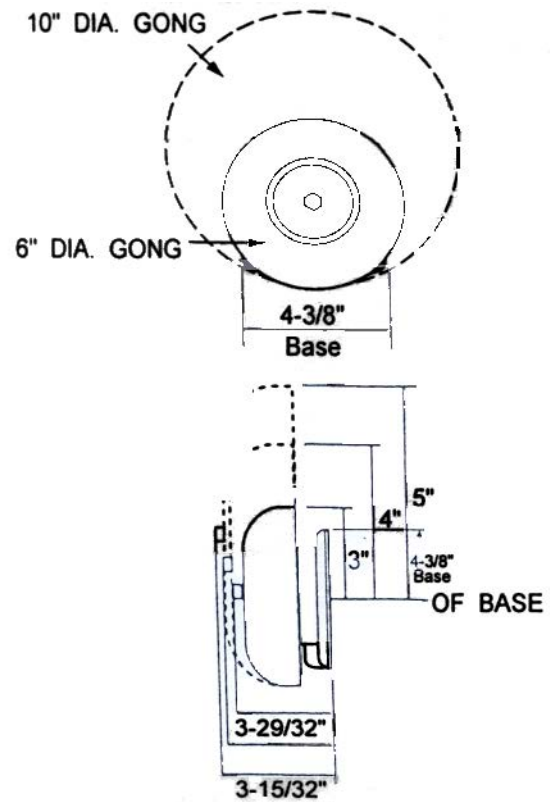
## Order Codes and Options

28-GB6-24	GB 6" 24VDC Fire Alarm Bell
28-GB10-24	GB 10" 24VDC Fire Alarm Bell

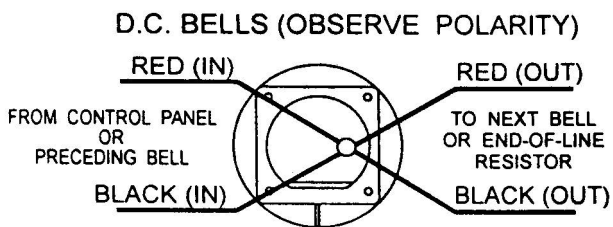
### Mounting



### Dimensions



### Wiring



[Check if this document is up to date](#) | [Give us feedback](#)

Advanced, The Bridges, Balliol Business Park, Newcastle upon Tyne, NE12 8EW, UK T: +44 (0)345 894 7000, E: [enquiries@advancedco.com](mailto:enquiries@advancedco.com), W: [www.advancedco.com](http://www.advancedco.com)

As our policy is one of constant product improvement the right is therefore reserved to modify product specifications without prior notice.