

## Axis EN Waterproof Manual Call Point

The Axis EN Waterproof Manual Call Point has been designed to withstand difficult environmental conditions such as rain, high humidity or dust.

It combines the features of the standard call point with a rugged weather-sealed moulded enclosure, providing optimum performance even in harsh conditions (IP67 sealed). It is compatible with all fire control panels utilising the Axis EN fully digital communication protocol. The innovative light pipe design allows the alarm condition to be viewed over a wide angle (170 degrees).

The extended housing with symmetrical fixings on the front face of the unit contributes to its physical protection and reliable operation. The rear surface mount box is designed for a simple installation, providing a selection of securing positions together with a choice of cable entries.

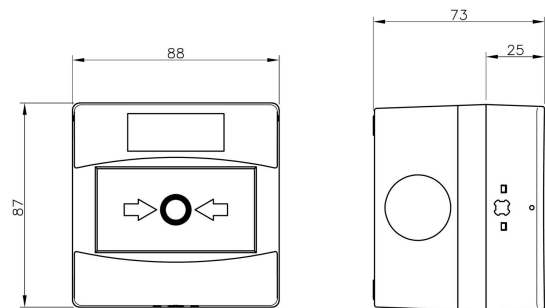


### Features

- Waterproof operation
- Fully compatible with the Axis EN range
- Digital communications protocol
- Built-in short circuit isolator
- High visibility of the alarm condition through LED indication
- Resettable operating element
- Optional protective cover
- 3 years standard product warranty

### Standards and approvals

- EN54-11: Manual call points
- EN54-17: Short circuit isolators
- DoP: AWCP



### Specification

Loop voltage range	18 to 40 Vdc
Average standby current	35µA @ 24 Vdc
Dimensions of device (H x W x D)	87 mm x 88 mm x 73 mm
Weight	230 g
Temperature range	-10°C to +55°C
IP Rating	67
Max tolerated humidity (non-condensing)	95% RH

## Order Codes and Options

Axis-WCP	Axis EN Waterproof Call Point
Axis-CPCI	Transparent Cover for Axis-CP (no text)
Axis-CPKEY	Spare Reset Key for Axis EN Call Point

[Check if this document is up to date](#) | [Give us feedback](#)

Advanced, The Bridges, Balliol Business Park, Newcastle, NE12 8EW, UK T: +44 (0)845 894 7000, E: [enquiries@advancedco.com](mailto:enquiries@advancedco.com), W: [www.advancedco.com](http://www.advancedco.com)

As our policy is one of constant product improvement the right is therefore reserved to modify product specifications without prior notice.