

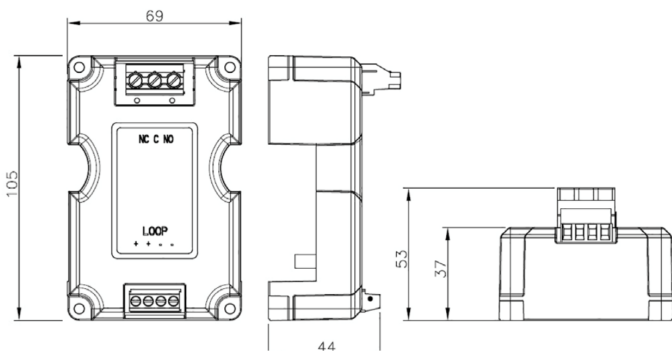
Mains Rated Relay Unit

The Axis-CMAC relay unit upgrades a standard VMMC120 output module to a unit capable of switching mains voltages and higher currents. Utilising an existing module for communication, control and monitoring functions means the unit is fully compatible with all Axis EN panels.

The unit can easily be upgraded to a wireless variant by adding the SGMCB-EOLM end of line module and connecting to an SGMCB200 wireless output module. The units are used for switching mains voltage to equipment such as dampers or other 3rd party equipment where higher current switching is required at lower voltages.



Dimensions



Features

- 250V Mains voltage switching capacity
- Robust design
- Optional IP65 enclosure
- 5-year product warranty
- Single set of heavy duty change over contacts
- No PSU required
- Wired and wireless variants available

Listings and Approvals

- EN 60950-1: Information technology equipment
- EN 50130-4: Alarm systems electromagnetic compatibility

Specification

Loop Voltage Range	18-40 VDC
Max. Current	12.5mA @ 24VDC
Wired Operation Requires	VMMC120
Wireless Operation Requires	SGMCB200 & SGMCB-EOLM
Weight	100g
Temp Range (no icing)	-10 to +55
Max Humidity	95%RH
Max. Mains Relay Load (resistive)	5A @ 240 VAC
Dimensions	105 x 69 x 53mm
IP Rating	21C
Max. Mains Relay Load (inductive)	1.5A@ 240 VAC

Order Codes and Options

Axis-CMAC

Mains Rated Relay Unit

[Check if this document is up to date](#) | [Give us feedback](#)

Advanced, The Bridges, Balliol Business Park, Newcastle, NE12 8EW, UK T: +44 (0)845 894 7000, E: enquiries@advancedco.com, W: www.advancedco.com

As our policy is one of constant product improvement the right is therefore reserved to modify product specifications without prior notice.