

## Remote Graphical LCD Annunciators

Providing superior flexibility and customization to an Axis AX Series Intelligent Fire Alarm Control Panel installation, the Axis AX Series Remote Graphical LCD Annunciators are available in two (2) models, the AX-ANN-C and AX-ANN-D. The AX-ANN-C provides annunciation and programmable peer-to-peer system controls while the AX-ANN-D provides annunciation only. To prevent unauthorized access to the AXANN-C, the unit can be set to password required access for all controls, or an optional access enable key switch (p/n: AX-KSW) can be installed, thereby restricting access to the Reset, Silence, Resound and Drill functions without first activating the key switch. Designed to adapt to any installation the graphical annunciators are compact and attractive.

Both units incorporate the Advanced industry unique backlit 240 x 64 graphical LCD display. The graphical LCD display allows adaptation to virtually any language and character set. In addition to the programmable language capabilities, the graphical LCD display allows users/customers to customize the display with installation/company logo and details which will be displayed during normal system mode.

The level of information displayed and the control capabilities of each AX-ANN-C and AX-ANN-D remote annunciator is fully field programmable. Individual units can be configured to vector information and control, allowing remote annunciators to be dedicated to alarms, troubles, supervisory or other status events.

The AX-ANN-C and AX-ANN-D communicate over the Advanced AD-NeT-PluS fault tolerant, Style 4 or 7, peer-to-peer network. This is a true peer-to-peer network with full cross node reporting. The AX-ANN-C and AX-ANN-D are comprised of three (3) parts; the back box, cover, chassis assembly. They can be mounted surface or semi-flush (With optional trimming). In addition, a tamperproof box p/n: AX-ANN-TP and a weatherproof box p/n: AX-ANN-WP are available.



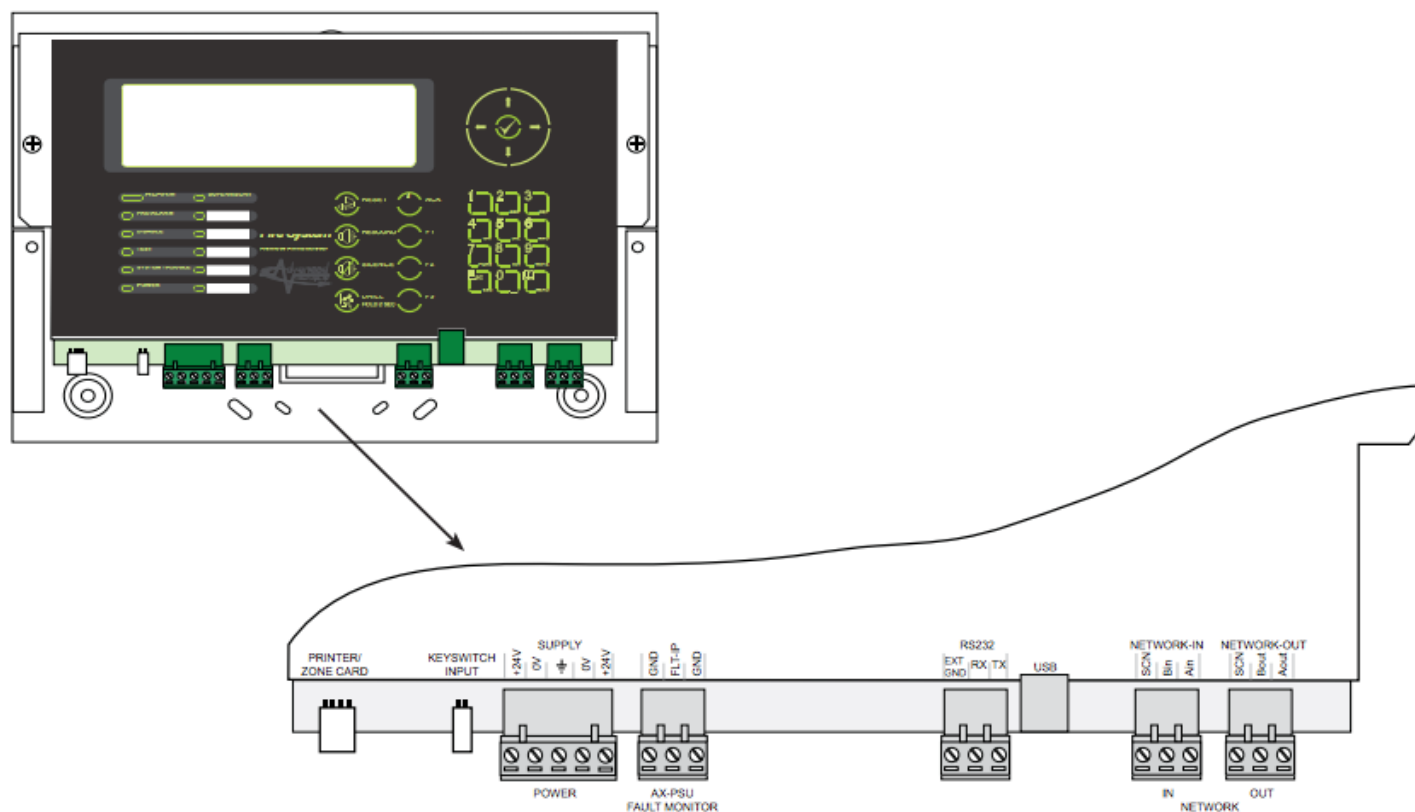
### Features

- Advanced User Interface with Graphical LCD
- Vector Reporting of Events
- Full System Control or Annunciation Only
- Dedicated System & Navigation Keys
- AD-NeT-PluS Peer-to-Peer Network Compatible
- Compact, Attractive Appearance
- Backlit 240 x 64 Graphical LCD Display
- Style 4 or 7 Network Communications
- Multiple Language Adaptability
- Optional Access Enable Key-Switch
- 5000ft Maximum Cable Length
- Supervised External Trouble Input

### Listings and Approvals

- ETL ANSI/UL 864 Listed: 101564744NYM-001
- CSFM Approved: 7120-1713:0100
- NYCFD COA #6105

## Wiring Diagram



## Specification

Display	Backlit, 240 x 64 Graphical LCD
Input Voltage (DC)	24 VDC (Operating range 15-30 VDC)
Standby Current	78 mA (Backlight off)
Operating Current	140 mA (In alarm)
LED Indicators	Red - Alarm, Green - Power, 10 Yellow - Trouble, Supervisory & System Status Indicators
Keypad	Alphanumeric Keypad, Navigation Keys & On-Board Buzzer
Controls (AX-ANN-C Only)	Acknowledge, Reset, Silence, Resound & Drill
External Monitoring Input	Supervised Closed Contact
Serial Port	RS232
Enclosure	Steel, Four ½" Knockouts, Rear Entry Double Gang Electrical Box Mount
Color	Red or Gray
Dimensions	8½" H x 11¾" W x 1¾" D
Weight	4.5 lbs

## Order Codes and Options

AX-ANN-C*	Remote Graphical LCD Annunciator with Control (Style 4)
AX-ANN-C/ST7*	Remote Graphical LCD Annunciator with Control (Style 7)
AX-ANN-D*	Remote Graphical LCD Annunciator without Control (Style 4)
AX-ANN-D/ST7*	Remote Graphical LCD Annunciator without Control (Style 7)
	AX-ANN Options:
AX-KSW	Optional Access Enable Keyswitch
AXM-008	Trim-Ring for Semi-Flush Mounting
AX-ANN-TP	Tamperproof Enclosure
AX-ANN-WP	Weatherproof Enclosure (Comes with 24V heater)

\* For the gray enclosure, add the suffix "G" to the part number.

[Check if this document is up to date](#) | [Give us feedback](#)

Advanced, The Bridges, Balliol Business Park, Newcastle, NE12 8EW, UK T: +44 (0)845 894 7000, E: [enquiries@advancedco.com](mailto:enquiries@advancedco.com), W: [www.advancedco.com](http://www.advancedco.com)

As our policy is one of constant product improvement the right is therefore reserved to modify product specifications without prior notice.