

Intelligent Loop Powered Enhanced Open Area Sounder Beacons

The Intelligent Loop Powered Enhanced Open Area Sounder Beacons are alarm devices which include an area sounder and a red beacon. Both the sounder and the beacon provide synchronized signaling (audible and visual) from an Axis AX Series Intelligent Fire Alarm Control Panel's SLC (Signaling Line Circuit) loop. Each Intelligent Loop Powered Enhanced Sounder Beacon receives both power and communications from the signaling line circuit.

Applications are wide and varied, but ideal applications include corridors, offices, dormitory living quarters, nursing homes, retirement homes, hospitals and patient rooms.

Tremendous installation cost advantages can be realized when installing Enhanced Sounder Beacons due to material and labor savings. Since power is provided by the Axis AX Series Intelligent Fire Alarm Control Panel's SLC loop, there is no need for additional power supplies or additional wire. In addition, installation time is sharply reduced because sounder beacons can be installed on the same circuits with pull stations, smoke detectors, and other addressable input devices.

Being installed in various locations, each Enhanced Sounder Beacon provides seven (7) different volume settings allowing installers to select a specific volume based on installation area audible requirements. Synchronization of tones and beacon flash rate ensures that signal tones and beacon flash rates from different sounder beacons do not merge into unrecognizable and visible signaling problems.

The Axis AX Series Intelligent Fire Alarm Control Panel provides a group addressing feature that can be used to simultaneously turn on a group of Intelligent Loop Powered Enhanced Sounder Beacons without delay. The Intelligent Loop Powered Enhanced Sounder Beacon can be installed indoors or outdoors based on installation requirements. Note, when installing outdoors utilize the weatherproof mounting pad and "O" ring supplied with the sounder beacon.



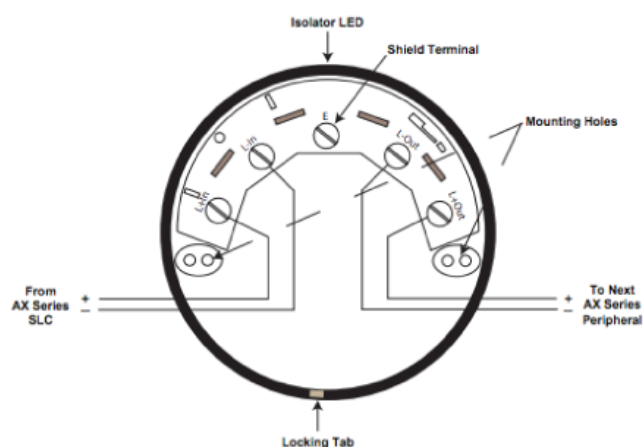
Features

- 15 Tone and 7 Volume Settings
- Integral Red Flashing Beacon
- Drastically Reduces Installation Costs
- Available in Red or White Colors
- Built-in Synchronization (Audible and Flash)
- Separate Sounder Beacon Base with Drillable Knockouts
- Listed for Indoor and Outdoor Applications
- Individual and Group Addressing
- Sounder Beacon Base Security Locking Tab
- Unique Integral Sel-Test

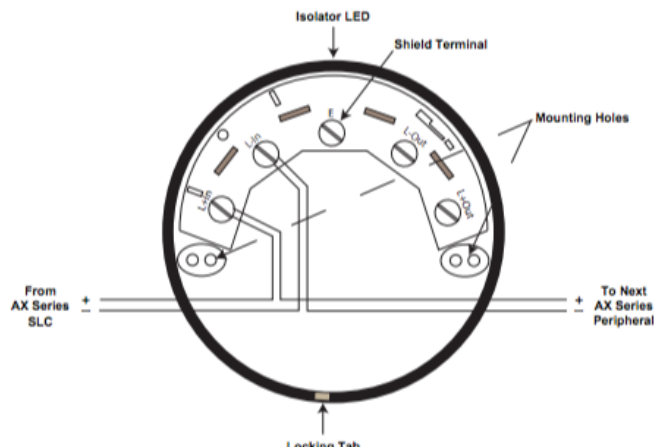
Listings and Approvals

- ETL ANSI/UL 864 Listed: 101564744NYM-001
- UL file: ULSZ.S24953 / ML file: S25051

Wiring Diagrams



Loop Powered Open Area Sounder Base Wiring with Isolation



Loop Powered Open Area Sounder Base Wiring without Isolation

Audibility Table

Device Setting	Tone	Frequency	dB (A) @ 10 Ft.
1	Apollo Evacuation Tone	550Hz for 0.5s, 825Hz for 0.5s	48.8 to 77.0
2	Alternating (Hochiki & Fullcon)	925Hz for 0.25s, 626Hz for 0.25s	48.1 to 73.8
3	Medium Sweep	800Hz to 970Hz at 1Hz	49.3 to 76.3
4	Fast Sweep	2500Hz to 2850Hz at 9Hz	52.5 to 76.3
5	Dutch Slow Whoop (Sweep)	500Hz to 1200Hz for 3.5s, 0.5s off	44.2 to 72.9
6	DIN Tone (Sweep)	1200Hz to 500Hz for 1s	46.2 to 73.4
7	Swedish Fire Tone	660Hz for 150ms on, 150ms off	46.2 to 74.0
8	Aus (Fast Rise Sweep)	3x (500Hz to 1200Hz for 0.5s) 0.5s off	43.2 to 69.8
9	NZ (Slow Rise Sweep)	500Hz to 1200Hz for 3.75s, 0.25s off	43.4 to 73.7
10	US Temporal LF (ISO 8201)	3x (970Hz for 0.5s on, 0.5s off) 1s off	43.4 to 70.0
11	US Temporal HF (ISO 8201)	3x (2850Hz for 0.5s on, 0.5s off) 1s off	47.3 to 71.5
12	Simulated Bell Continuous	n/a	52.0 to 74.7
13	Emergency Warning Siren	n/a	47.4 to 74.9
14	Evacuation Tone	970Hz Continuous	50.2 to 74.8
15	Apollo Evacuation Tone	550Hz for 0.5s, 825Hz for 0.5s	49.0 to 73.4

The Intelligent Loop Powered Enhanced Open Area Sounder Beacon incorporates its own plastic mounting base which can be wired with or without device isolation. In addition, the mounting base can also be installed on a 3" square or octagonal electrical box.

The sounder beacon base is specifically designed to enable "one-way-only" sounder beacon insertion without any need for force. Simply insert the sounder beacon and rotate clockwise. Incorporating a high degree of protection against unauthorized removal of sounder beacons, each sounder beacon can be locked to its associated sounder beacon base.

Specification

Operating Voltage	17-28 VDC
Operating Current	
Quiescent	.75 mA
Sounder Beacon Active	8.4 mA (Maximum)
Switch on Surge	2.6 mA for 1 Second
Terminals	Stainless Steel
Environment	Indoor, Dry
Operating Temperature	32 °F-120 °F (0 °F-48 °C)
Humidity	10-93% (Non-condensing)
Dimensions (Diameter & Height)	
Sounder Beacon with Base	3.84"D x 4.09"H
Weight	
Sounder Beacon with Base	9.1 oz
Housing	Polycarbonate, 94 V0
IP Rating	65

Order Codes and Options

58000-011AEL	Enhanced Open Area Sounder Beacon (Red)
58000-012AEL	Enhanced Open Area Sounder Beacon (White)

[Check if this document is up to date](#) | [Give us feedback](#)

Advanced, The Bridges, Balliol Business Park, Newcastle, NE12 8EW, UK T: +44 (0)845 894 7000, E: enquiries@advancedco.com, W: www.advancedco.com

As our policy is one of constant product improvement the right is therefore reserved to modify product specifications without prior notice.