

## SSPKCLP Series

The Gentex SSPK24CLP is a ceiling mount, selectable candela speaker/strobe, and the SSPKCLP is a ceiling or wall mount speaker designed to meet code requirements for audio, visual and voice communications. The SSPKCLP Series are quality speaker products that offer both dependable evacuation signaling and visual alarms, or a combination of both. The SSPK24CLP has high output tamperproof candela selections are 15, 30, 75, 95 and 115.

The SSPKCLP Series can be mounted in a 4" square x 2-1/8" deep back box, an extension ring is not needed.

The SSPKCLP Series provides a 25 or 70.7 VRMS speaker with field selectable power taps of 1/8W, 1/4W, 1/2W, 1W, 2W or 4W. The SSPK24CLP strobes can be synchronized by using the Gentex Synchronization Control Module, FACP's or power supplies that include the Gentex Synchronization Protocol.

The SSPKCLP Series grills are constructed of high impact textured plastic.

The SSPKCLP is warranted for 3 years from the date of purchase. The SSPKCLP devices are UL 1971 listed for use with fire protective signaling systems.



### Features

- Tamperproof Selectable Candela 15, 30 75, 95 and 115
- High-Quality dBA Output (Intelligible)
- Frequency Range 400-4000Hz
- Tamperproof Grill
- Faceplate Available Red or Off-White
- Speaker Voltage 25 or 70.7 VRMS Standard, Field Selectable
- Unit Dimensions: 6.1" Square x 1.88" Deep
- SSPK24CLP Ceiling Mounting to Standard 4" x 2 1/8" Deep Back Box
- SSPKCLP Ceiling or Wall Mounting to Standard 4" x 2 1/8" Deep Back Box
- Field Selectable Power Taps 1/8, 1/4, 1/2, 1, 2, 4 watt

### Listings and Approvals

- UL Listed: 1480, 1971 and 2043
- CSFM: 7320-0569:137
- MEA: 580-06-E

### Speaker dBA @ 10ft.

Input Watts	25 Volts	70.7 Volts
1/8	74.6 dBA	73.7 dBA
1/4	77.7 dBA	76.7 dBA
1/2	80.5 dBA	79.6 dBA
1	83.1 dBA	82.5 dBA
2	85.6 dBA	85.4 dBA
4	87.9 dBA	87.9 dBA

### Low Profile Evacuation Speakers and Speaker/Strobes

Model Number	Description	Part Number
SSPKCLPR	Speaker	904-1445-002
SSPKCLPW	Speaker	904-1446-002
SSPK24CLPR	Speaker/Strobe	904-1441-002
SSPK24CLPW	Speaker/Strobe	904-1443-002

Note: The SSPKCLP Series is not listed for outdoor use. Operating temperature: 32°to 120°F (0° to 49°C). Gentex does not recommend using a coded or pulsing signaling circuit with any of our strobe products (see technical bulletin number 014).

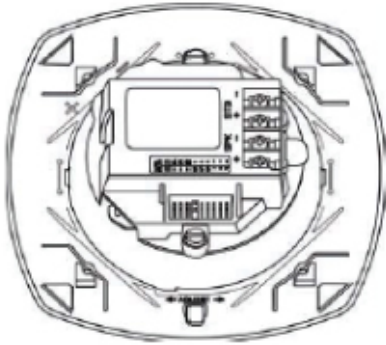
"R" = Red Faceplate, "W" = Off-White Faceplate, "P" = Plain (No Lettering) Available with all models.

## Ceiling Mount Strobe Current Ratings

Candela	15cd	30cd	75cd	95cd	115cd
24 VDC	72mA	88mA	176mA	200mA	214mA
UL Max <sup>1</sup>	120mA	130mA	272mA	318mA	360mA

<sup>1</sup> RMS current ratings are per UL average RMS method. UL maximum current rating is the maximum RMS current within the listed voltage range (16-33VDC for 24VDC units) (8-17VDC for 12VDC units). For strobes, the UL max current is usually at the minimum listed voltage (16VDC for 24VDC units) (8VDC for 12VDC units). For audibles, the maximum current is usually at the maximum listed voltage. For unfiltered FWR ratings, see installation manual.

### SSPK24CLP Candela Selection



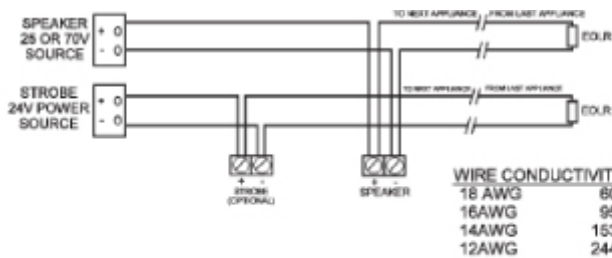
Adjust brightness by turning dial with screwdriver. Candela selection is displayed on front of unit.

### SSPKCLP Mounting Diagram



Mounts to a standard 4" square x 2-1/8" back box or to Gentex GBLP surface back box.

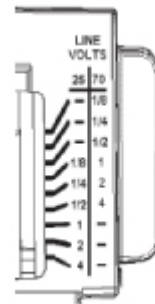
### Wiring Diagram



NOTE: DO NOT USE LOOPED WIRE UNDER TERMINALS. BREAK WIRE RUN TO PROVIDE SUPER VISION OF CONNECTION.

\*MAX. WIRE DISTANCE (IN FEET) =  $\frac{\text{PANEL VOLTAGE} - \text{DEVICE MINIMUM VOLTAGE}}{\text{TOTAL CURRENT}} \times \text{WIRE CONDUCTIVITY}$   
 \*CAUTION: APPLIES ONLY TO REGULATED SUPPLIES  
 NOTICE: POWER IS SUPPLIED TO DEVICES WHEN CONTROL PANEL IS LATCHED.

### Power Tap Selection



## Specification

The fire alarm speaker shall be Gentex SSPKCLP, SSPK24CLP or equivalent. The speaker shall be capable of producing alarm tones or voice on all 25 or 70.7 VRMS audio systems. The speaker shall provide incremental tap settings of 1/8, 1/4, 1/2, 1, 2 or 4 watts. Minimum dBA ratings at 1/4 watt shall be 76.7 dBA and at 4 watts 87.9 dBA. Tap settings shall be adjustable with field selectable jumper pins. The speaker shall also have an optional visual signal capacity.

The visual signal shall have 1Hz flash rate regardless of input voltage. All wiring connections shall be made via separate in-out terminal connections and the speaker, or speaker strobe shall be UL, CSFM and BS&A/MEA listed and compliant with all local, state and federal fire alarm codes/standards.

[Check if this document is up to date](#) | [Give us feedback](#)

Advanced, The Bridges, Balliol Business Park, Newcastle, NE12 8EW, UK T: +44 (0)845 894 7000, E: [enquiries@advancedco.com](mailto:enquiries@advancedco.com), W: [www.advancedco.com](http://www.advancedco.com)

As our policy is one of constant product improvement the right is therefore reserved to modify product specifications without prior notice.