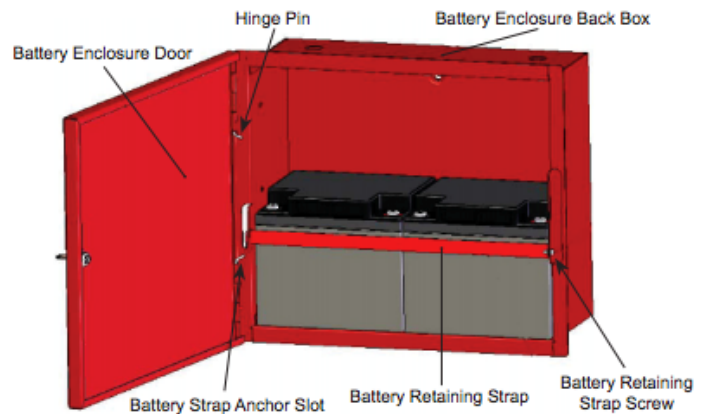


Battery Enclosure

The CAX-BAT, Battery Enclosure, is designed to accommodate up to 40Ah batteries to support the Advanced Axis AX Series Intelligent Fire Alarm Control Panels. In addition an optional battery tray can be added to support multiple sets of batteries.

Note: The battery charging output of the Axis AX Series Intelligent Fire Alarm Control Panels (via CAX-CTL Base Card and CAX-PSU-6 power supplies) is temperature compensated to maintain the optimum charging voltage in accordance with the manufacturers' specifications. Housing the batteries in the external enclosure could lead to the batteries being charged at an incorrect voltage – to avoid this, ensure that the external battery enclosure is installed in an area with an equivalent environment to the installed location of the Axis AX Intelligent Fire Alarm Control Panel.



Features

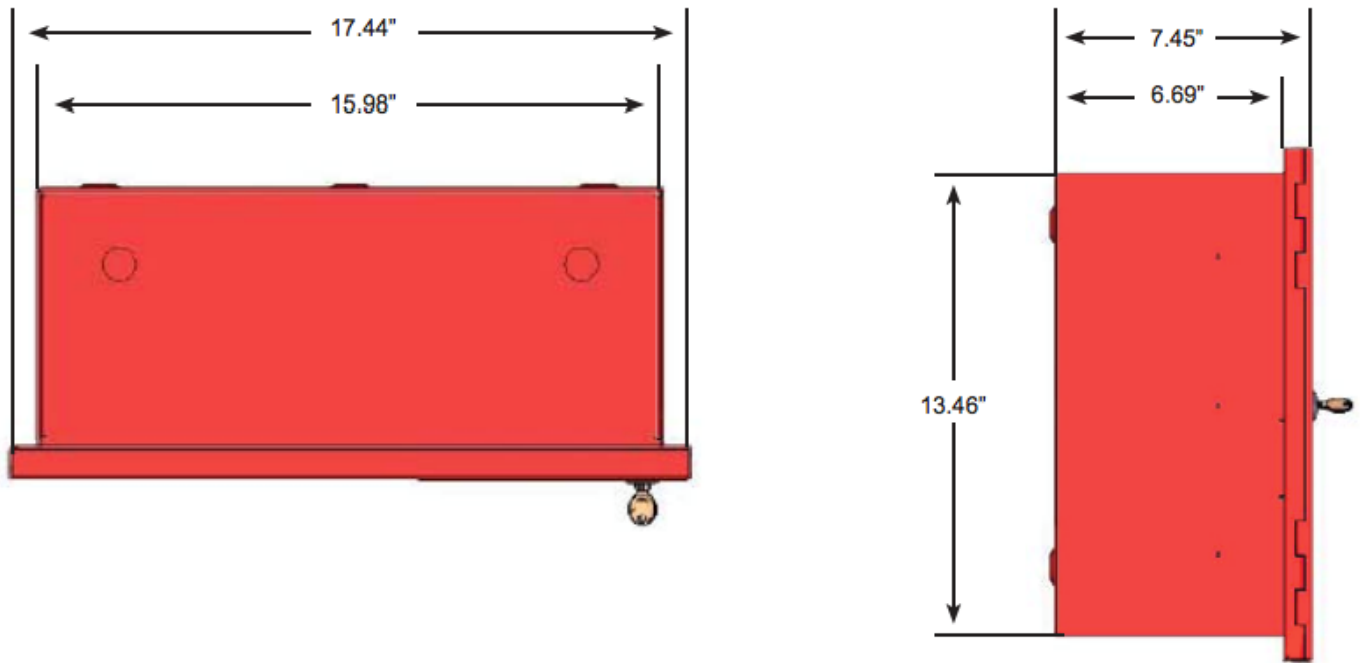
- Accommodates up to 40Ah Batteries
- CAT30 Keyed to match Axis AX FACP & Pull Stations
- Surface or Semi-Flush Mounting
- Integral Battery Retaining Strap
- 16 Gauge Steel Construction
- Easy to Install
- Available in Red or Gray Color
- Two 3/4" Knockouts
- Optional Battery Tray

Listings and Approvals

- CAN/ULC-S527-11 & CAN/ULC-S559-04 Listed: 100780709NYM-001

Specification

Dimensions	15" H x 17½" W x 7½" D
Weight	20 lbs
Knockouts (2)	¾" (Two at the top of the enclosure)
Enclosure	16 AWG Zintec Sheet Steel
Color	Red RAL3002 Carmine Red



Order Codes and Options

CAX-BAT	Battery Enclosure
AX-BAT-TRAY	Battery Tray (Supports multiple sets of batteries)

[Check if this document is up to date](#) | [Give us feedback](#)

Advanced, The Bridges, Balliol Business Park, Newcastle, NE12 8EW, UK T: +44 (0)845 894 7000, E: enquiries@advancedco.com, W: www.advancedco.com

As our policy is one of constant product improvement the right is therefore reserved to modify product specifications without prior notice.