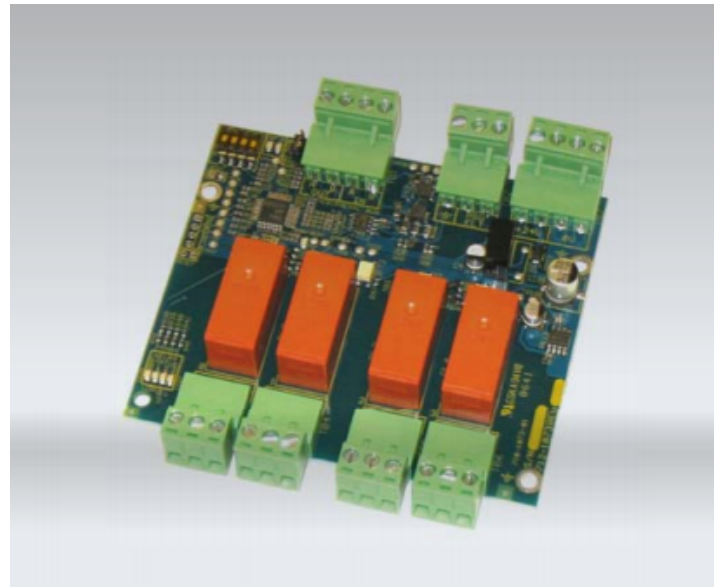


4 Point Relay Card

The CAX-RL4, 4 Point Relay Card, is an optional PBUS (RS485 network) peripheral module that provides four individually programmable relay outputs from an Axis AX Series Intelligent Fire Alarm Control Panel. Up to sixteen (16) CAX-RL4 cards can be connected to a single Axis AX Series Intelligent Fire Alarm Control Panel providing a maximum of 64 relay outputs. Each output of the CAX-RL4 is fully field programmable using the Advanced powerful 'Dynamix' cause and effect rules of its PC-Net field configuration program.

The CAX-RL4, 4 Point Relay Card, can be installed in two different configurations; one CAX-RL4 can be mounted within the Axis AX Series Intelligent Fire Alarm Control Panel enclosure (if mounting location is available) or two (2) CAX-RL4 cards can be mounted in a separate enclosure.

Each CAX-RL4 card has on-board LEDs for the indication of individual relay activation, PBUS (RS-485 network) communications and microprocessor heartbeat.



Features

- Field Programmable Relay Card
- 16 Cards per Axis AX Series FACP Peripheral Bus
- Powerful Dynamix Cause & Effect Programming
- 120 VAC @ 5 Amp Rating
- Dedicated Power Supply Monitored Input
- 64 Relays per Axis AX Series FACP Peripheral Bus
- Removable Field Wiring Terminal Blocks

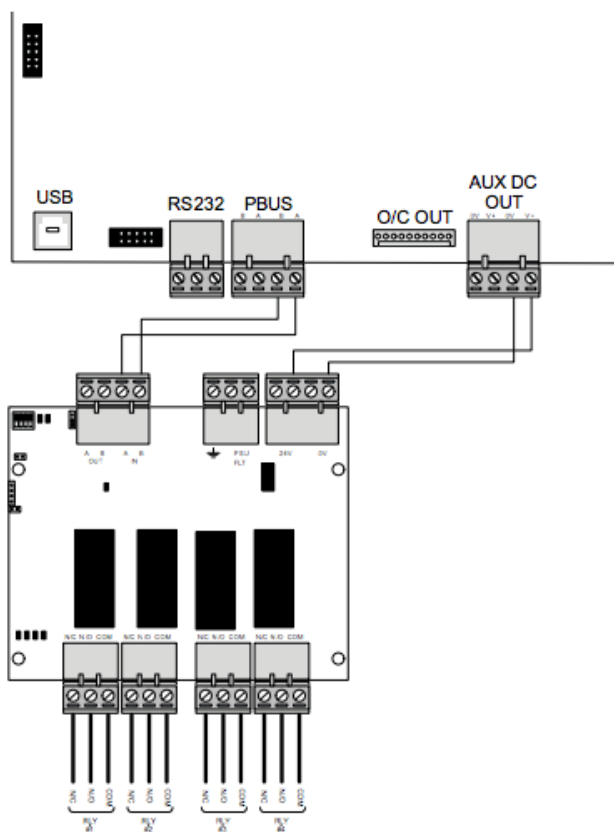
Listings and Approvals

- ETL ANSI/UL 864 Listed: 101564744NYM-001
- CSFM Approved: 7165-1713: 0101
- NYC FD COA #6105

Specification

Operating Voltage	15-30 VDC (From base card or listed power supply)
Operating Current	
Quiescent	22 mA
Alarm	100 mA
Output Ratings	5A @ 30 VDC/120VAC
LED Indicators	Relay Output Active PBus Communicators (RX/TX) Processor Heartbeat
End-of-Lines	10 K Ω - Fault Remote Power Supply 150 K Ω - PBUS EOL Built on Board
Environment	Indoor, Dry
Operating Temperature	32 °F - 120 °F (0 °C-48 °C)
Humidity	10-95% (Non-Condensing)
Weight (CAX-RL4)	3 oz
Optional Enclosure Dimension	8.58" X 11.81" X 1.77"

Wiring Diagrams



Order Codes and Options

CAX-RL4	4 Point Relay Card
CAXM-009*	Optional Listed Enclosure (Supports 2 AX-RL4's)

[Check if this document is up to date](#) | [Give us feedback](#)

Advanced, The Bridges, Balliol Business Park, Newcastle upon Tyne, NE12 8EW, UK **T:** +44 (0)345 894 7000, **E:** enquiries@advancedco.com,
W: www.advancedco.com

As our policy is one of constant product improvement the right is therefore reserved to modify product specifications without prior notice.